

Commercial Cooling Products



2018/1

simfer

Welcome to Simfer world with more than **1800 sales-points** in **146 countries**



With our **215.000** sqm production site and **1800** employees

More than **2000** product range and more than **240** service network



Advanced production

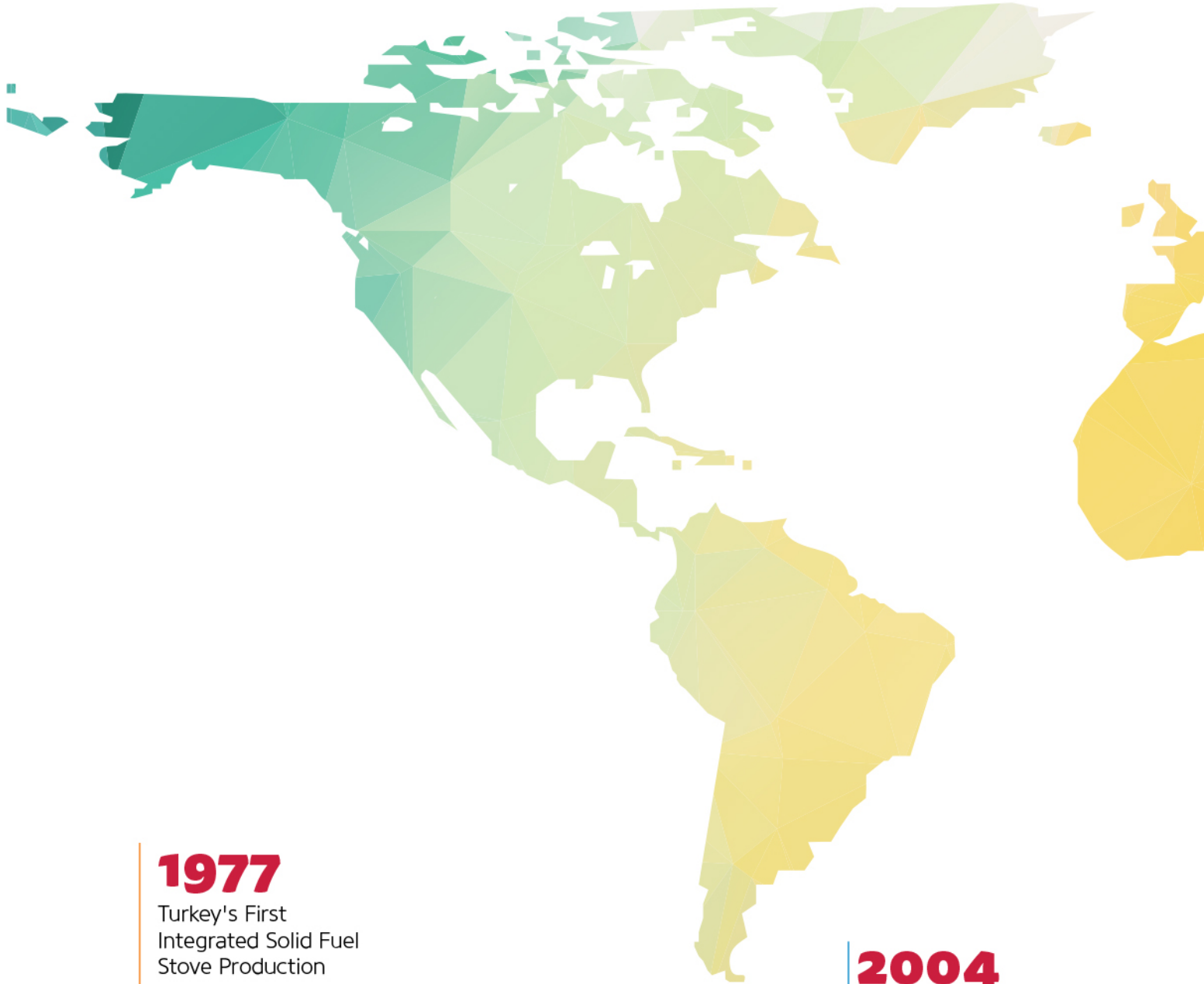
technology and
special designs

for our customers..

Suitable for different cultures and
world class products..

We are Turkey's Simfer...

for 41 years, for you, for world...



1977

Turkey's First
Integrated Solid Fuel
Stove Production

2004

Built-in Cooking
Appliances Production

1997

Freestanding
Cooking Appliances
Production



2015

Household & Commercial
Cooling Appliances Production

2013

Total 215.000
sqm production site

2016

Export to 146 Countries
with large production
capacity

Technology oriented production, high capacity.



CB
CERTIFICATE



SASO
CERTIFICATE



ISO 9001:2008
CERTIFICATE



ROHS
COMPLIANT



INTERTEK / SGS /
BUREAU VERITAS



CE
APPROVAL



TÜV-GS
CERTIFICATE



RUSIA-GOST
CERTIFICATE



TURKISH STANDARDS
INSTITUTION

Our cooling production site is **100.000** sqm of 250.000 sqm total production site. And this site produces **1200** coolers in a day.

Our products are in world class standards and consumes less energy, innovative and customer oriented.



Product Ranges

Single Door Upright Bottle Coolers **14-16**



Wine Coolers **17**



Double Door Upright Bottle Coolers **18-20**



Chest Bottle Coolers **24-33**



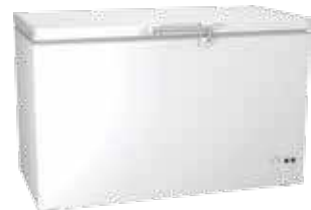
Ice Cream Frozen Food Conservators 38-57



Ice Cream Showcases 60-62



Platinum Series Chest Freezers 68-73



Upright Freezers 78-85



Upright Bottle Coolers Product Range

Single Door Upright Bottle Coolers



SDS 385 DC 1 C F



SDS 385 DC 1 P F



SDS 710 DC 1 C F



SDS 510 DC 1 C F

Two Door Upright Bottle Coolers



SDS 385 DC 2 C F



SDS 385 DC 2 P F

Wine Coolers



SDS 385 DC 1 C W



SDS 385 DC 1 P W

Double Door Upright Bottle Coolers



SDS 770 DC 2 C F



SDS 1210 DC 2 C F



SDS 1010 DC 2 C F

Double Sliding Glass Door Upright Bottle Coolers



SDS 1210 SC 2 C F



SDS 1010 SC 2 C F



Combine Technology and Design with Your Business!



Canopy Application

Highlight your brand by LED or Fluorescent lighting and changeable visual of canopy application. Identify your brand with different color combinations.

*Standard is in black color.

Lock Application

With the lock feature of the cabinets, provide the safety of your products.



Internal Fan Switch, Light Switch and Power Lamp Application

If the energy saving is desired, to stop the interior fan when the door is opened or to turn off the interior light when the cooler is working, you can use the fan switch and light switch. Also, the green power lamp indicates whether your cooler is powered.

Shelf Sticker Application

In the front of the shelves, we can apply shelf stickers which are designed and printed accordingly to your brand's corporate identity.



Bottom Panel Application

With the bottom panel that can be applied in different colors, you can get a more stylish cabinet image.

* Optional Colors: Black (Standard), Green, Yellow, Blue, Gray and Red

Thermometer

The temperature of the cabinet inside is always visible with the thermometer. By this way, you will keep your products in safe.



Power LED Application

With the Power LED application, the inside of your cooler will be brighter and your products will be more evident. Daylight and cold white color options are available.

Door Handle Application

Ergonomic, different types and colors of holders allow you to open your cooler door easily.

* Optional Colors: Black (Standard), Green, Yellow, Blue, Gray and Red



Shelf Price Holder Application

Easily attachable and removable plastic price holders, where you can place the product prices.

Colored Door Frame Application

Make the cooler remarkable by the colored door frame which is suitable to your brand and products. Depending on what you need, you can choose aluminum or plastic door profiles.

* Plastic Door Frame Color Options:

Black (Standard), Green, Yellow, Blue, Gray, and Red

* Aluminum Door Frame Color Options:

Black (Standard), Green, Yellow, Blue, Gray, and Red



Single Door Upright Bottle Coolers



SDS 385 DC 1 CF Single Door Upright Bottle Cooler With Canopy

Standard Features

- 2 pcs adjustable foot, 2 pcs wheel
- Thermoformed inner body
- Interior upper fluorescent illumination
- 5 pcs 5x7 can loading capacity PVC coated wire shelf
- Plastic door frame
- Built-in handle
- Canopy with Fluorescent Light
- Carton packing and wooden pallet
- Mechanical Thermostat Control
- Tempered Double Glass
- R600a Refrigerant



Optioal Features

- Custom Design
- Additionaly 2 pcs balance foot
- Left or right side interior fluorescent illumination
- Interior upper 9 Power LED illumination
- Interior upper LED illumination
- Left or right interior LED illumination
- Door LED light (1-2-3-4 side) (Flat door)
- Electronic Thermostat
- 5 pcs 6x7 can max loading capacity PVC coated wire shelf
- Price holders and strips
- Low-e Double glass
- Low-e + Argon gas double glass
- Door Lock
- Remote lock
- Aluminium Door Frame (Gray)
- Plastic Kick Plate (Black color)
- Aluminium and Plastic door frame in different colors
- Canopy and Plastic Kick plate in different colors
- Door Handle sets
- Self Closing door
- Energy Lamp • Light and Fan Switch
- Sticker app. (Sides, Glass, Shelves, Canopy)
- Analog thermometer • Digital Thermometer
- Vertical,Horizontal curved canopy and kick plate
- High Canopy • Plastic frame Flat door
- Aluminium frame Flat door • R134a Refrigerant



SDS 385 DC 1 P F Single Door Upright Bottle Cooler With Control Panel

Standard Features

- 2 pcs adjustable foot, 2 pcs wheel
- Thermoformed inner body
- Interior upper fluorescent illumination
- 5 pcs 5x7 can loading capacity PVC coated wire shelf
- Plastic door frame
- Built-in handle
- Carton packing and wooden pallet
- Mechanical Thermostat Control
- Tempered Double Glass
- R600a Refrigerant



Optioal Features

- Custom Design
- Additionaly 2 pcs balance foot
- Left or right side interior fluorescent illumination
- Interior upper 9 Power LED illumination
- Interior upper LED illumination
- Left or right interior LED illumination
- Door LED light (1-2-3-4 side) (Flat door)
- Electronic Thermostat
- 5 pcs 6x7 can max loading capacity PVC coated wire shelf
- Price holders and strips
- Low-e Double glass
- Low-e + Argon gas double glass
- Door Lock
- Aluminium Door Frame (Gray)
- Plastic Kick Plate (Black color)
- Aluminium and Plastic door frame in different colors
- Canopy and Plastic Kick plate in different colors
- Door Handle sets
- Self Closing door
- Energy Lamp
- Light and Fan Switch
- Sticker app. (Sides, Glass, Shelves, Canopy)
- Analog thermometer
- Digital Thermometer
- Plastic frame Flat door
- Aluminium frame Flat door • R134a Refrigerant



SDS 710 DC 1 C F Single Door Upright Bottle Cooler With Canopy

Standard Features

- 2 pcs adjustable foot, 4 pcs wheel
- Stucko Aluminium inner body
- Interior right side fluorescent illumination
- 5 pcs 7x10 can loading capacity PVC coated wire shelf
- Aluminium door frame
- Built-in handle
- Canopy with Fluorescent Light
- Carton packing and wooden pallet
- Mechanical Thermostat Control
- Tempered Double Glass
- R290 refrigerant
- Metal Kick Plate
- Fan switch



Opsiyonel Özellikler

- Custom Design
- Canopy LED Light
- Interior LED illumination
- Door LED light (1-2-3-4 side) (Flat door)
- Electronic Thermostat
- 5 pcs 8x10 can max loading capacity PVC coated wire shelf
- Price holders and strips
- Low-e Double glass
- Low-e + Argon gas double glass
- Door Lock
- Remote lock
- Aluminium door frame in different colors
- Canopy and Metal Kick plate in different colors
- Door Handle sets
- Self Closing door
- Energy Lamp
- Light Switch
- Sticker app. (Sides, Glass, Shelves, Canopy)
- Analog thermometer
- Digital Thermometer
- Aluminium frame Flat door • R134a Refrigerant



SDS 510 DC 1 C F Single Door Upright Bottle Cooler With Canopy

Standard Features

- 2 pcs adjustable foot, 4 pcs wheel
- Stucko Aluminium inner body
- Interior right side fluorescent illumination
- 5 pcs 7x8 can loading capacity PVC coated wire shelf
- Aluminium door frame
- Built-in handle
- Canopy with Fluorescent Light
- Carton packing and wooden pallet
- Mechanical Thermostat Control
- Tempered Double Glass
- R290 refrigerant
- Metal Kick Plate
- Fan switch



Opsiyonel Özellikler

- Custom Design
- Canopy LED Light
- Interior LED illumination
- Door LED light (1-2-3-4 side) (Flat door)
- Electronic Thermostat
- 5 pcs 8x8 can max loading capacity PVC coated wire shelf
- Price holders and strips
- Low-e Double glass
- Low-e + Argon gas double glass
- Door Lock
- Remote lock
- Aluminium and Plastic door frame in different colors
- Canopy and Metal Kick plate in different colors
- Door Handle sets
- Self Closing door
- Energy Lamp
- Light Switch
- Sticker app. (Sides, Glass, Shelves, Canopy)
- Analog thermometer
- Digital Thermometer
- Aluminium frame Flat door • R134a Refrigerant

Two Door Upright Bottle Coolers



SDS 385 DC 2 CF Two Door Upright Bottle Cooler With Canopy

Standard Features

- 2 pcs adjustable foot, 2 pcs wheel
- Thermoformed inner body
- Interior upper fluorescent illumination
- 5 pcs 5x7 can loading capacity PVC coated wire shelf
- Plastic door frame
- Built-in handle
- Canopy with Fluorescent Light
- Carton packing and wooden pallet
- Mechanical Thermostat Control
- Tempered Double Glass
- R600a Refrigerant
- Self Closing Door



Optional Features

- Custom Design
- Additionaly 2 pcs balance foot
- Left or right side interior fluorescent illumination
- Interior upper 9 Power LED illumination
- Interior upper LED illumination
- Left or right interior LED illumination
- Electronic Thermostat
- 5 pcs 6x7 can max loading capacity PVC coated wire shelf
- Price holders and strips
- Low-e Double glass
- Low-e + Argon gas double glass
- Aluminium Door Frame (Gray)
- Plastic Kick Plate (Black color)
- Aluminium and Plastic door frame in different colors
- Canopy and Plastic Kick plate in different colors
- Door Handle sets
- Self Closing door
- Energy Lamp
- Light and Fan Switch
- Sticker app. (Sides, Glass, Shelves, Canopy)
- Analog thermometer
- Digital Thermometer
- Vertical,Horizontal curved canopy and kick plate
- High Canopy • R134a Refrigerant

SDS 385 DC 2 P F Two Door Upright Bottle Cooler With Control Panel

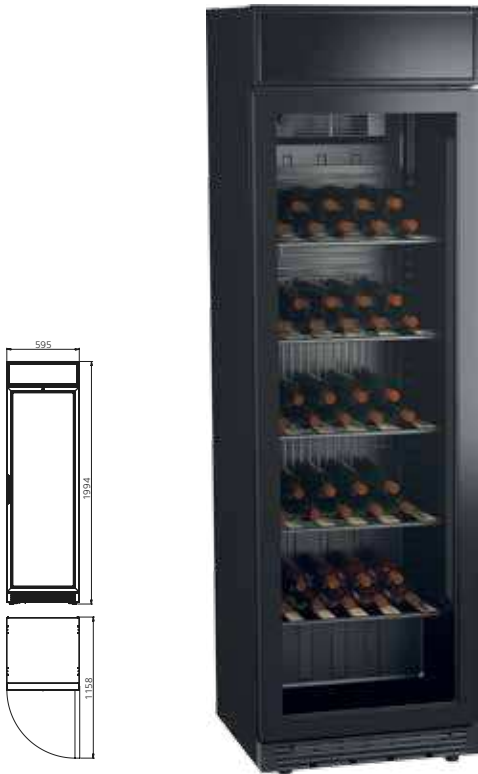
Standard Features

- 2 pcs adjustable foot, 2 pcs wheel
- Thermoformed inner body
- Interior upper fluorescent illumination
- 5 pcs 5x7 can loading capacity PVC coated wire shelf
- Plastic door frame
- Built-in handle
- Carton packing and wooden pallet
- Mechanical Thermostat Control
- Tempered Double Glass
- R600a Refrigerant
- Self Closing Door



Optional Features

- Custom Design
- Additionaly 2 pcs balance foot
- Left or right side interior fluorescent illumination
- Interior upper 9 Power LED illumination
- Interior upper LED illumination
- Left or right interior LED illumination
- Electronic Thermostat
- 5 pcs 6x7 can max loading capacity PVC coated wire shelf
- Price holders and strips
- Low-e Double glass
- Low-e + Argon gas double glass
- Aluminium Door Frame (Gray)
- Plastic Kick Plate (Black color)
- Aluminium and Plastic door frame in different colors
- Canopy and Plastic Kick plate in different colors
- Door Handle sets
- Self Closing door
- Energy Lamp
- Light and Fan Switch
- Sticker app. (Sides, Glass, Shelves, Canopy)
- Analog thermometer
- Digital Thermometer
- R134a Refrigerant



SDS 385 DC 1 C W Single Door Wine Cooler With Canopy

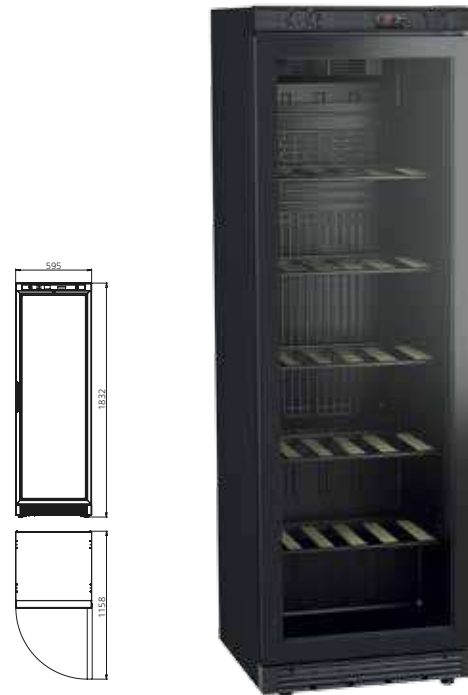
Standard Features

- 2 pcs adjustable foot, 2 pcs wheel
- Thermoformed inner body
- Interior upper fluorescent illumination
- 5 pcs wooden shelf
- Aluminium Frame Falt door
- Handle with Frame
- Canopy with LED Light
- Carton packing and wooden pallet
- Electronic Thermostat
- Tempered Double Glass
- R600a Refrigerant
- Self Closing Door
- Plastic Kick Plate (Black color)
- Light and Fan Switch



Optioal Features

- Custom Design
- Additionaly 2 pcs balance foot
- Interior upper 9 Power LED illumination
- Left or right interior LED illumination
- Door LED light (1-2-3-4 side) (Flat door)
- Electronic Thermostat
- 5 pcs 5x7 can loading capacity PVC coated wire shelf
- Price holders and strips
- Low-e Double glass
- Low-e + Argon gas double glass
- Remote lock
- Aluminium Door Frame
- Aluminium and Plastic door frame in different colors
- Canopy and Plastic Kick plate in different colors
- Sticker app. (Sides, Glass, Shelves, Canopy)
- Vertical,Horizontal curved canopy and kick plate
- High Canopy
- Plastic frame Flat door



SDS 385 DC 1 P W Single Door Wine Cooler With Control Panel

Standard Features

- 2 pcs adjustable foot, 2 pcs wheel
- Thermoformed inner body
- Interior upper fluorescent illumination
- 5 pcs wooden shelf
- Aluminium Frame Falt door
- Handle with Frame
- Carton packing and wooden pallet
- Electronic Thermostat
- Tempered Double Glass
- R600a Refrigerant
- Self Closing Door
- Plastic Kick Plate (Black color)
- Light and Fan Switch



Optioal Features

- Custom Design
- Additionaly 2 pcs balance foot
- Interior upper 9 Power LED illumination
- Left or right interior LED illumination
- Door LED light (1-2-3-4 side) (Flat door)
- Electronic Thermostat
- 5 pcs 5x7 can loading capacity PVC coated wire shelf
- Price holders and strips
- Low-e Double glass
- Low-e + Argon gas double glass
- Aluminium Door Frame
- Aluminium and Plastic door frame in different colors
- Canopy and Plastic Kick plate in different colors
- Sticker app. (Sides, Glass, Shelves, Canopy)
- Plastic frame Flat door

Double Door Upright Bottle Coolers



SDS 770 DC 2 CF Double Door Upright Bottle Cooler With Canopy

Standard Features

- 4 pcs adjustable foot, 4 pcs wheel
- Thermoformed inner body
- Interior upper fluorescent illumination
- 10 pcs 5x7 can loading capacity PVC coated wire shelf
- Plastic door frame
- Built-in handle
- Canopy with Fluorescent Light
- Carton packing and wooden pallet
- Mechanical Thermostat Control
- Tempered Double Glass
- R600a Refrigerant



Optional Features

- Custom Design
- Additionally 4 pcs balance foot
- Left or right side interior fluorescent illumination
- Interior upper 9 Power LED illumination
- Interior upper LED illumination
- Left or right interior LED illumination
- Door LED light (1-2-3-4 side) (Flat door)
- 10 pcs 6x7 can max loading capacity PVC coated wire shelf
- Price holders and strips
- Low-e Double glass
- Low-e + Argon gas double glass
- Door Lock
- Remote lock
- Aluminium Door Frame (Gray)
- Plastic Kick Plate (Black color)
- Aluminium and Plastic door frame in different colors
- Canopy and Plastic Kick plate in different colors
- Door Handle sets
- Self Closing door
- Energy Lamp
- Light and Fan Switch
- Sticker app. (Sides, Glass, Shelves, Canopy)
- Analog thermometer
- Digital Thermometer • Plastic frame Flat door
- Aluminium frame Flat door • R134a Refrigerant





SDS 1210 DC 2 C F Double Door Upright Bottle Cooler With Canopy

Standard Features

- 2 pcs adjustable foot, 4 pcs wheel
- Stucko Aluminium inner body
- Interior right side fluorescent illumination
- 5 pcs 7x16 can loading capacity PVC coated wire shelf
- Aluminium door frame
- Built-in handle
- Canopy with Fluorescent Light
- Carton packing and wooden pallet
- Mechanical Thermostat Control
- Tempered Double Glass
- R290 refrigerant
- Metal Kick Plate
- Fan switch



Optinoal Features

- Custom Design
- Canopy LED Light
- Interior LED illumination
- Door LED light (1-2-3-4 side) (Flat door)
- Electronic Thermostat
- 5 pcs 8x16 can max loading capacity PVC coated wire shelf
- Price holders and strips
- Low-e Double glass
- Low-e + Argon gas double glass
- Door Lock
- Remote lock
- Aluminium and Plastic door frame in different colors
- Canopy and Metal Kick plate in different colors
- Door Handle sets
- Self Closing door
- Energy Lamp
- Light Switch
- Sticker app. (Sides, Glass, Shelves, Canopy)
- Analog thermometer
- Digital Thermometer
- R134a Refrigerant



SDS 1010 DC 2 C F Double Door Upright Bottle Cooler With Canopy

Standard Features

- 2 pcs adjustable foot, 4 pcs wheel
- Stucko Aluminium inner body
- Interior right side fluorescent illumination
- 5 pcs 7x13 can loading capacity PVC coated wire shelf
- Aluminium door frame
- Built-in handle
- Canopy with Fluorescent Light
- Carton packing and wooden pallet
- Mechanical Thermostat Control
- Tempered Double Glass
- R290 refrigerant
- Metal Kick Plate
- Fan switch



Optinoal Features

- Custom Design
- Canopy LED Light
- Interior LED illumination
- Door LED light (1-2-3-4 side) (Flat door)
- Electronic Thermostat
- 5 pcs 8x13 can max loading capacity PVC coated wire shelf
- Price holders and strips
- Low-e Double glass
- Low-e + Argon gas double glass
- Door Lock
- Remote lock
- Aluminium and Plastic door frame in different colors
- Canopy and Metal Kick plate in different colors
- Door Handle sets
- Self Closing door
- Energy Lamp
- Light Switch
- Sticker app. (Sides, Glass, Shelves, Canopy)
- Analog thermometer
- Digital Thermometer
- R134a Refrigerant

Double Door Upright Bottle Cooler with Sliding Glass Doors and Canopy



SDS 1210 SC 2 C F Double Door Upright Bottle Cooler With Sliding Glass Doors and Canopy

Standard Features

- 2 pcs adjustable foot, 4 pcs wheel
- Stucko Aluminium inner body
- Interior right side fluorescent illumination
- 5 pcs 7x16 can loading capacity PVC coated wire shelf
- Plastic door frame
- Handle with Frame
- Canopy with Fluorescent Light
- Carton packing and wooden pallet
- Mechanical Thermostat Control
- Tempered Double Glass
- R290 refrigerant
- Metal Kick Plate



Optinoal Features

- Custom Design
- Canopy LED Light
- Interior LED illumination
- Electronic Thermostat
- 5 pcs 8x16 can max loading capacity PVC coated wire shelf
- Price holders and strips
- Low-e Double glass
- Low-e + Argon gas double glass
- Door Lock
- Plastic door frame in different colors
- Canopy and Metal Kick plate in different colors
- Door Handle sets
- Self Closing door
- Energy Lamp
- Light Switch
- Sticker app. (Sides, Glass, Shelves, Canopy)
- Analog thermometer
- Digital Thermometer
- R134a Refrigerant



SDS 1010 SC 2 C F Double Door Upright Bottle Cooler With Sliding Glass Doors and Canopy

Standard Features

- 2 pcs adjustable foot, 4 pcs wheel
- Stucko Aluminium inner body
- Interior right side fluorescent illumination
- 5 pcs 7x13 can loading capacity PVC coated wire shelf
- Plastic door frame
- Handle with Frame
- Canopy with Fluorescent Light
- Carton packing and wooden pallet
- Mechanical Thermostat Control
- Tempered Double Glass
- R290 refrigerant
- Metal Kick Plate



Optinoal Features

- Custom Design
- Canopy LED Light
- Interior LED illumination
- Electronic Thermostat
- 5 pcs 8x13 can max loading capacity PVC coated wire shelf
- Price holders and strips
- Low-e Double glass
- Low-e + Argon gas double glass
- Door Lock
- Plastic door frame in different colors
- Canopy and Metal Kick plate in different colors
- Door Handle sets
- Self Closing door
- Energy Lamp
- Light Switch
- Sticker app. (Sides, Glass, Shelves, Canopy)
- Analog thermometer
- Digital Thermometer
- R134a Refrigerant



Advanced
cooling
technology

Chest Bottle Cooler Range

Chest Bottle Coolers With Flat Sliding Glass Lids



SYS 310 MD DC



SYS 210 MD DC



SYS 160 MD DC

Chest Bottle Coolers With Angled & Flat Sliding Glass Lids



SYS 310 MA DC



SYS 210 MA DC



SYS 160 MA DC

Chest Bottle Coolers With Curved Sliding Glass Lids



SYS 310 MD BC



SYS 210 MD BC



SYS 160 MD BC

Chest Bottle Coolers With Angled & Curved Sliding Glass Lids With Plastic Frame



SYS 310 PA BC



SYS 210 PA BC



SYS 160 PA BC

Chest Bottle Coolers With Angled & Curved Sliding Glass Lids



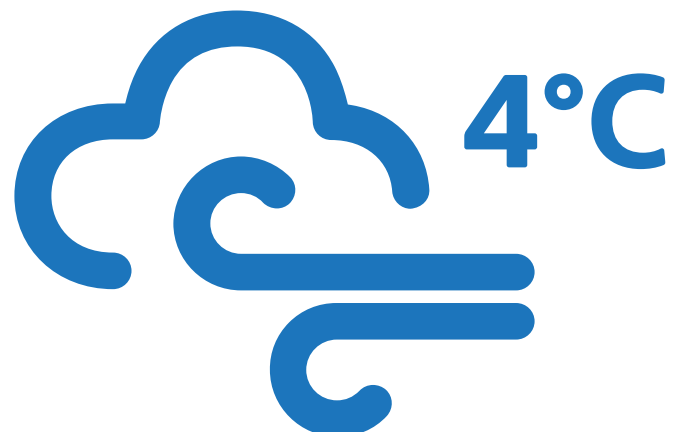
SYS 310 MA BC



SYS 210 MA BC



SYS 160 MA BC



Chest Bottle Coolers With Flat Sliding Glass Lid



SYS 310 MD DC Chest Bottle Coolers With Flat Sliding Glass Lid

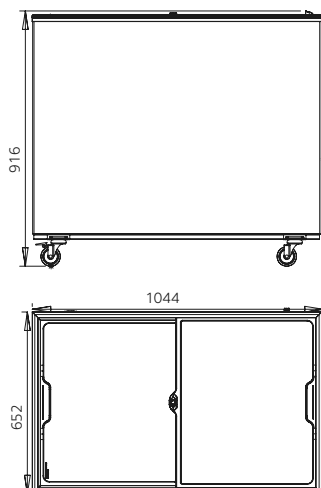
Standard Features

- Aluminium frame
- Glass Lid with Lock
- Stucko Aluminium inner body
- 4 pcs wheel (2 pcs with brake)
- Tempered Low-e glass
- Mechanical Thermostat
- Water Drain system
- Carton packing and wooden pallet
- R600a refrigerant



Optinoal Features

- Analog thermometer
- Digital Thermometer
- Wire Basket
- Sticker app.
- Aluminium Frame in different Colors
- Canopy with Light
- R134a Refrigerant





SYS 210 MD DC
Chest Bottle Coolers With Flat Sliding Glass Lid

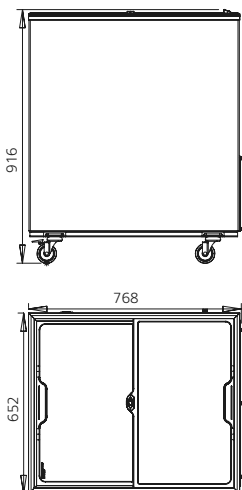
Standard Features

- Aluminium frame
- Glass Lid with Lock
- Stucko Aluminium inner body
- 4 pcs wheel (2 pcs with brake)
- Tempered Low-e glass
- Mechanical Thermostat
- Water Drain system
- Carton packing and wooden pallet
- R600a refrigerant



Optinoal Features

- Analog thermometer
- Digital Thermometer
- Wire Basket
- Sticker app.
- Aluminium Frame in different Colors
- Canopy with Light
- R134a Refrigerant



SYS 160 MD DC
Chest Bottle Coolers With Flat Sliding Glass Lid

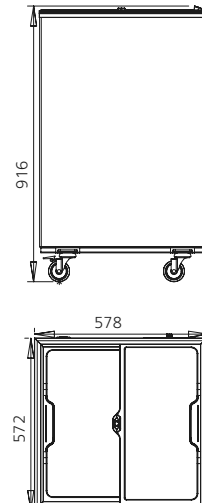
Standard Features

- Aluminium frame
- Glass Lid with Lock
- Stucko Aluminium inner body
- 4 pcs wheel (2 pcs with brake)
- Tempered Low-e glass
- Mechanical Thermostat
- Water Drain system
- Carton packing and wooden pallet
- R600a refrigerant



Optinoal Features

- Analog thermometer
- Digital Thermometer
- Wire Basket
- Sticker app.
- Aluminium Frame in different Colors
- Canopy with Light
- R134a Refrigerant



Chest Bottle Coolers With Angled & Flat Sliding Glass Lids



SYS 310 MA DC **Chest Bottle Coolers With Angled & Flat Sliding Glass Lids**

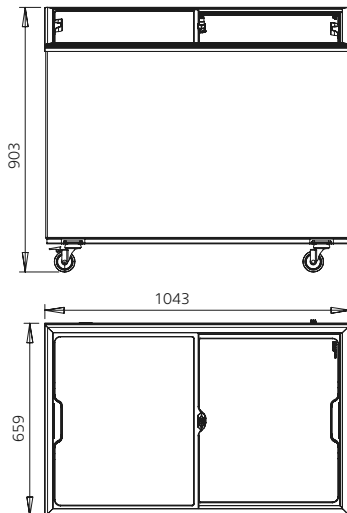
Standard Features

- Aluminium frame
- Glass Lid with Lock
- Stucko Aluminium inner body
- 4 pcs wheel (2 pcs with brake)
- Tempered Low-e glass
- Mechanical Thermostat
- Water Drain system
- Carton packing and wooden pallet
- R600a refrigerant



Optinoal Features

- Analog thermometer
- Digital Thermometer
- Wire Basket
- Sticker app.
- Aluminium Frame in different Colors
- Canopy with Light
- R134a Refrigerant





SYS 210 MA DC
Chest Bottle Coolers With Angled & Flat Sliding Glass Lids

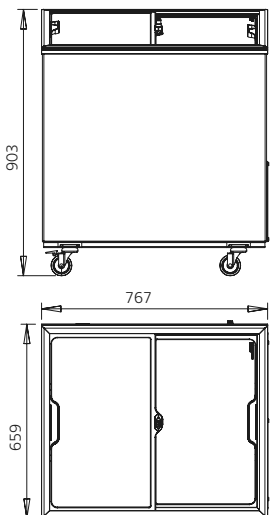
Standard Features

- Aluminium frame
- Glass Lid with Lock
- Stucko Aluminium inner body
- 4 pcs wheel (2 pcs with brake)
- Tempered Low-e glass
- Mechanical Thermostat
- Water Drain system
- Carton packing and wooden pallet
- R600a refrigerant



Optinoal Features

- Analog thermometer
- Digital Thermometer
- Wire Basket
- Sticker app.
- Aluminium Frame in different Colors
- Canopy with Light
- R134a Refrigerant



SYS 160 MA DC
Chest Bottle Coolers With Angled & Flat Sliding Glass Lids

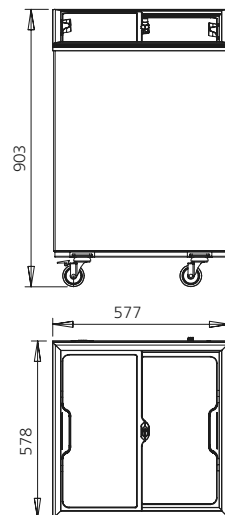
Standard Features

- Aluminium frame
- Glass Lid with Lock
- Stucko Aluminium inner body
- 4 pcs wheel (2 pcs with brake)
- Tempered Low-e glass
- Mechanical Thermostat
- Water Drain system
- Carton packing and wooden pallet
- R600a refrigerant



Optinoal Features

- Analog thermometer
- Digital Thermometer
- Wire Basket
- Sticker app.
- Aluminium Frame in different Colors
- Canopy with Light
- R134a Refrigerant



Chest Bottle Coolers With Curved Sliding Glass Lid



SYS 310 MD BC Chest Bottle Coolers With Curved Sliding Glass Lid

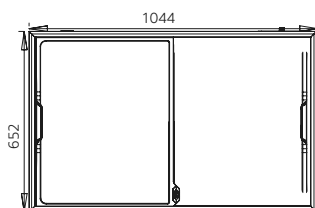
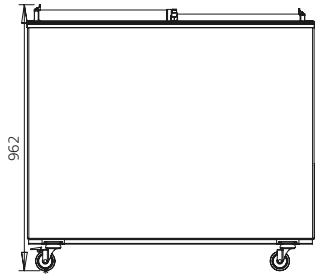
Standard Features

- Aluminium frame
- Curved Glass Lid with Lock
- Stucko Aluminium inner body
- 4 pcs wheel (2 pcs with brake)
- Tempered Low-e glass
- Mechanical Thermostat
- Water Drain system
- Carton packing and wooden pallet
- R600a refrigerant



Optional Features

- Analog thermometer
- Digital Thermometer
- Wire Basket
- Sticker app.
- Aluminium Frame in different Colors
- Canopy with Light
- R134a Refrigerant





SYS 210 MD BC
Chest Bottle Coolers With Curved Sliding Glass Lid

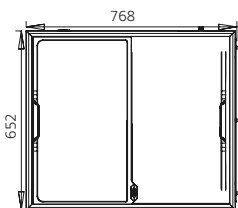
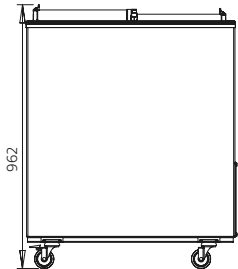
Standard Features

- Aluminium frame
- Curved Glass Lid with Lock
- Stucko Aluminium inner body
- 4 pcs wheel (2 pcs with brake)
- Tempered Low-e glass
- Mechanical Thermostat
- Water Drain system
- Carton packing and wooden pallet
- R600a refrigerant



Optinoal Features

- Analog thermometer
- Digital Thermometer
- Wire Basket
- Sticker app.
- Aluminium Frame in different Colors
- Canopy with Light
- R134a Refrigerant



SYS 160 MD BC
Chest Bottle Coolers With Curved Sliding Glass Lid

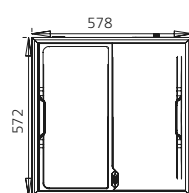
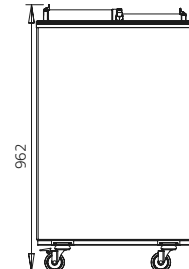
Standard Features

- Aluminium frame
- Curved Glass Lid with Lock
- Stucko Aluminium inner body
- 4 pcs wheel (2 pcs with brake)
- Tempered Low-e glass
- Mechanical Thermostat
- Water Drain system
- Carton packing and wooden pallet
- R600a refrigerant



Optinoal Features

- Analog thermometer
- Digital Thermometer
- Wire Basket
- Sticker app.
- Aluminium Frame in different Colors
- Canopy with Light
- R134a Refrigerant



Chest Bottle Coolers With Angled & Curved Sliding Glasslids



SYS 310 MA BC Chest Bottle Coolers With Angled & Curved Sliding Glasslids

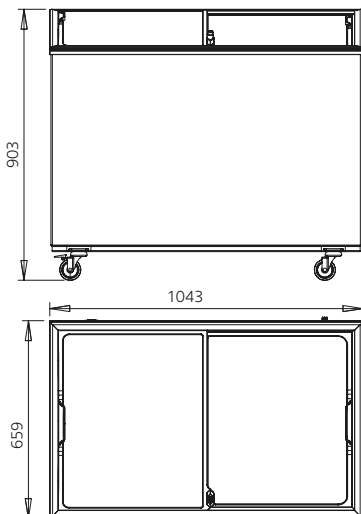
Standard Features

- Aluminium frame
- Curved Glass Lid with Lock
- Stucko Aluminium inner body
- 4 pcs wheel (2 pcs with brake)
- Tempered Low-e glass
- Mechanical Thermostat
- Water Drain system
- Carton packing and wooden pallet
- R600a refrigerant



Optinoal Features

- Analog thermometer
- Digital Thermometer
- Wire Basket
- Sticker app.
- Aluminium Frame in different Colors
- Canopy with Light
- R134a Refrigerant





SYS 210 MA BC
Chest Bottle Coolers With Angled & Curved Sliding Glasslids

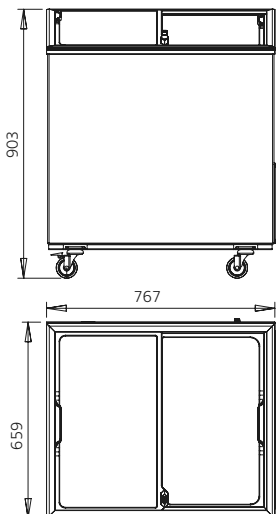
Standard Features

- Aluminium frame
- Curved Glass Lid with Lock
- Stucko Aluminium inner body
- 4 pcs wheel (2 pcs with brake)
- Tempered Low-e glass
- Mechanical Thermostat
- Water Drain system
- Carton packing and wooden pallet
- R600a refrigerant



Optinoal Features

- Analog thermometer
- Digital Thermometer
- Wire Basket
- Sticker app.
- Aluminium Frame in different Colors
- Canopy with Light
- R134a Refrigerant



SYS 160 MA BC
Chest Bottle Coolers With Angled & Curved Sliding Glasslids

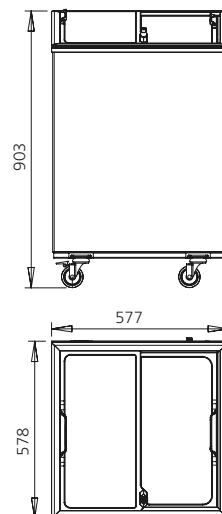
Standard Features

- Aluminium frame
- Curved Glass Lid with Lock
- Stucko Aluminium inner body
- 4 pcs wheel (2 pcs with brake)
- Tempered Low-e glass
- Mechanical Thermostat
- Water Drain system
- Carton packing and wooden pallet
- R600a refrigerant



Optinoal Features

- Analog thermometer
- Digital Thermometer
- Wire Basket
- Sticker app.
- Aluminium Frame in different Colors
- Canopy with Light
- R134a Refrigerant





SYS 310 PA BC **Chest Bottle Coolers With Angled & Curved Sliding Glass Lids With Plastic Frame**

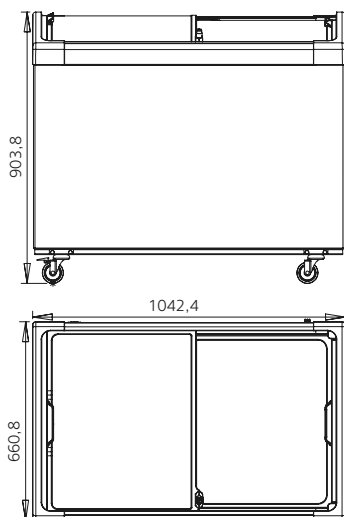
Standard Features

- Plastic frame
- Curved Glass Lid with Lock
- Stucko Aluminium inner body
- 4 pcs wheel (2 pcs with brake)
- Tempered Low-e glass
- Mechanical Thermostat
- Water Drain system
- Carton packing and wooden pallet
- R600a refrigerant



Optinoal Features

- Analog thermometer
- Digital Thermometer
- Wire Basket
- Sticker app.
- Aluminium Frame in different Colors
- Canopy with Light
- R134a Refrigerant





SYS 210 PA BC
Chest Bottle Coolers With Angled & Curved Sliding Glass Lids With Plastic Frame

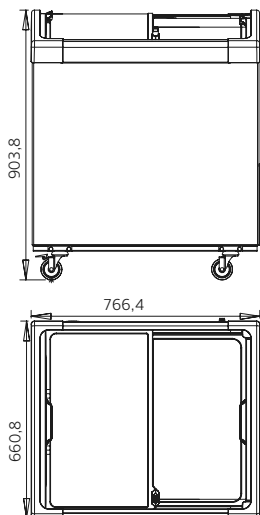
Standard Features

- Plastic frame
- Curved Glass Lid with Lock
- Stucko Aluminium inner body
- 4 pcs wheel (2 pcs with brake)
- Tempered Low-e glass
- Mechanical Thermostat
- Water Drain system
- Carton packing and wooden pallet
- R600a refrigerant



Optinoal Features

- Analog thermometer
- Digital Thermometer
- Wire Basket
- Sticker app.
- Aluminium Frame in different Colors
- Canopy with Light
- R134a Refrigerant



SYS 160 PA BC
Chest Bottle Coolers With Angled & Curved Sliding Glass Lids With Plastic Frame

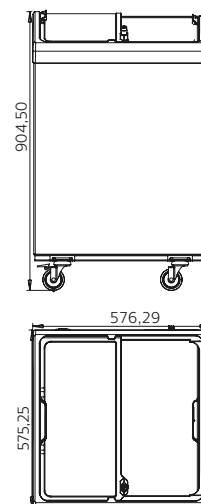
Standard Features

- Plastic frame
- Curved Glass Lid with Lock
- Stucko Aluminium inner body
- 4 pcs wheel (2 pcs with brake)
- Tempered Low-e glass
- Mechanical Thermostat
- Water Drain system
- Carton packing and wooden pallet
- R600a refrigerant



Optinoal Features

- Analog thermometer
- Digital Thermometer
- Wire Basket
- Sticker app.
- Aluminium Frame in different Colors
- Canopy with Light
- R134a Refrigerant



Conservators Product Range

Ice cream / Frozen Food Conservators with Flat Sliding Glass Lids



SYD 610 MD DC



SYD 510 MD DC



SYD 410 MD DC

Ice cream / Frozen Food Conservators with Angled and Flat Sliding Glass Lids



SYD 610 MA DC



SYD 510 MA DC



SYD 410 MA DC

Ice cream / Frozen Food Conservators with Curved Sliding Glass Lids



SYD 610 MD BC



SYD 510 MD BC



SYD 410 MD BC

Ice cream / Frozen Food Conservators with Angled and Curved Sliding Glass Lids



SYD 610 MA BC



SYD 510 MA BC



SYD 410 MA BC

Ice cream / Frozen Food Conservators with Angled and Curved Sliding Glass Lids with Plastic Frame



SYD 610 PA BC



SYD 510 PA BC



SYD 410 PA BC

Ice cream / Frozen Food Conservators with Flat Sliding Glass Lids



SYD 310 MD DC



SYD 210 MD DC



SYD 160 MD DC

Ice cream / Frozen Food Conservators with Angled and Flat Sliding Glass Lids



SYD 310 MA DC



SYD 210 MA DC



SYD 160 MA DC

Ice cream / Frozen Food Conservators with Curved Sliding Glass Lids



SYD 310 MD BC



SYD 210 MD BC



SYD 160 MD BC

Ice cream / Frozen Food Conservators with Angled and Curved Sliding Glass Lids



SYD 310 MA BC



SYD 210 MA BC



SYD 160 MA BC

Ice cream / Frozen Food Conservators with Angled and Curved Sliding Glass Lids with Plastic Frame



SYD 310 PA BC



SYD 210 PA BC



SYD 160 PA BC



Icecream Frozen Food Conservator Range

Simfer Ice cream / Frozen food conservators provide income to your company with their ergonomic and robust sliding glass lids and low energy consumption.

They displays your products in the best possible way with a high interior volume according to their class and never leaves you half way.



Canopy Application

Front-mark your brand with LED or Fluorescent-illuminated and changeable visual canopy application



Advertisement sticker Application

Combine your corporate brand with the cabinets.

Basket Option

In order to have easy access to the food in the cupboard, there are baskets to help you store according to the kinds of products.

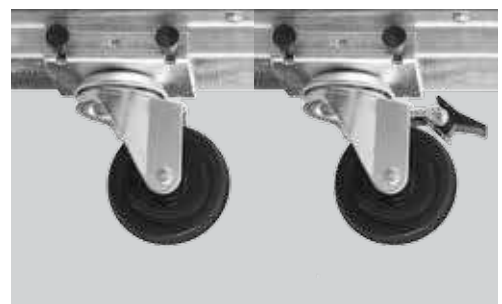


Thermometer Option

Inside cabinet temperature visibility to control of your products safety.

Castor

360 degrees reversible, unlocked and locked free durable wheels which provides easy movement



Ice Cream / Frozen Food Conservators With Sliding Glass Lid



SYD 610 MD DC **Ice Cream / Frozen Food Conservator With Flat Sliding Glass lids**

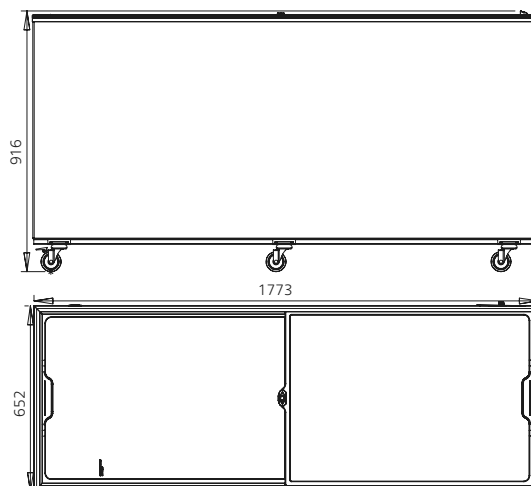
Standard Features

- Aluminium frame
- Glass Lid with Lock
- Stucko Aluminium inner body
- 6 pcs wheel (3 pcs with brake)
- Tempered Low-e glass
- Mechanical Thermostat
- Water Drain system
- Carton packing and wooden pallet
- R290 refrigerant



Optinoal Features

- Analog thermometer
- Digital Thermometer
- Wire Basket
- Sticker app.
- Aluminium Frame in different Colors
- Canopy with Light
- R404A Refrigerant





SYD 510 MD DC **Ice Cream / Frozen Food Conservator With Flat Sliding Glass lids**

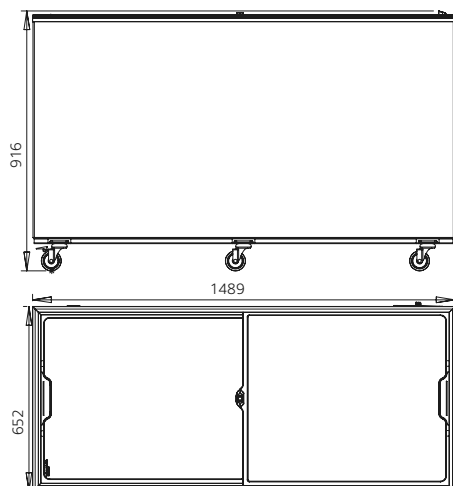
Standard Features

- Aluminium frame
- Glass Lid with Lock
- Stucko Aluminium inner body
- 6 pcs wheel (3 pcs with brake)
- Tempered Low-e glass
- Mechanical Thermostat
- Water Drain system
- Carton packing and wooden pallet
- R290 refrigerant



Optinoal Features

- Analog thermometer
- Digital Thermometer
- Wire Basket
- Sticker app.
- Aluminium Frame in different Colors
- Canopy with Light
- R404A Refrigerant



Ice Cream / Frozen Food Conservators With Sliding Glass Lid



SYD 410 MD DC Ice Cream / Frozen Food Conservator With Flat Sliding Glass lids

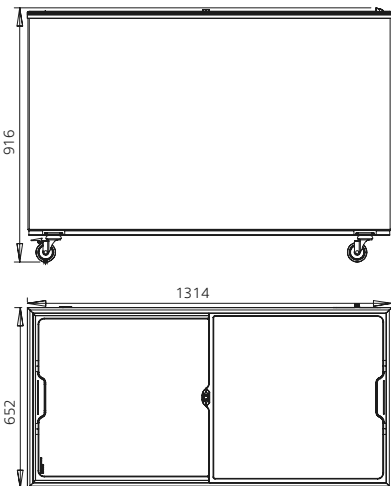
Standard Features

- Aluminium frame
- Glass Lid with Lock
- Stucko Aluminium inner body
- 4 pcs wheel (2 pcs with brake)
- Tempered Low-e glass
- Mechanical Thermostat
- Water Drain system
- Carton packing and wooden pallet
- R290 refrigerant



Optinoal Features

- Analog thermometer
- Digital Thermometer
- Wire Basket
- Sticker app.
- Aluminium Frame in different Colors
- Canopy with Light
- R404A Refrigerant



SYD 310 MD DC Ice Cream / Frozen Food Conservator With Flat Sliding Glass Lids

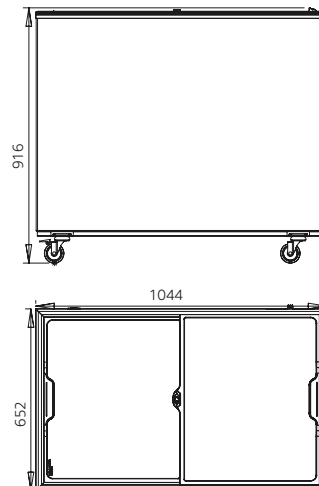
Standard Features

- Aluminium frame
- Glass Lid with Lock
- Stucko Aluminium inner body
- 4 pcs wheel (2 pcs with brake)
- Tempered Low-e glass
- Mechanical Thermostat
- Water Drain system
- Carton packing and wooden pallet
- R290 refrigerant



Optinoal Features

- Analog thermometer
- Digital Thermometer
- Wire Basket
- Sticker app.
- Aluminium Frame in different Colors
- Canopy with Light
- R404A Refrigerant





SYD 210 MD DC
Ice Cream / Frozen Food Conservator With
Flat Sliding Glass Lids

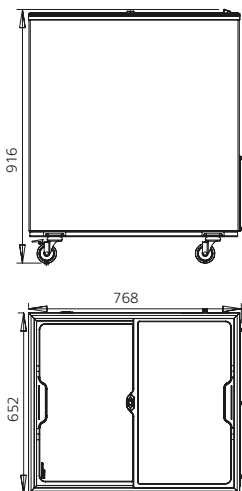
Standard Features

- Aluminium frame
- Glass Lid with Lock
- Stucko Aluminium inner body
- 4 pcs wheel (2 pcs with brake)
- Tempered Low-e glass
- Mechanical Thermostat
- Water Drain system
- Carton packing and wooden pallet
- R600a refrigerant



Optinoal Features

- Analog thermometer
- Digital Thermometer
- Wire Basket
- Sticker app.
- Aluminium Frame in different Colors
- Canopy with Light
- R404A Refrigerant



SYD 160 MD DC
Ice Cream / Frozen Food Conservator With
Flat Sliding Glass Lids

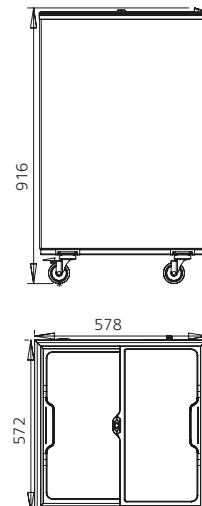
Standard Features

- Aluminium frame
- Glass Lid with Lock
- Stucko Aluminium inner body
- 4 pcs wheel (2 pcs with brake)
- Tempered Low-e glass
- Mechanical Thermostat
- Water Drain system
- Carton packing and wooden pallet
- R00a refrigerant



Optinoal Features

- Analog thermometer
- Digital Thermometer
- Wire Basket
- Sticker app.
- Aluminium Frame in different Colors
- Canopy with Light
- R404A Refrigerant





SYD 610 MA DC **Ice Cream / Frozen Food Conservator With Angled & Flat Sliding Glass Lids**

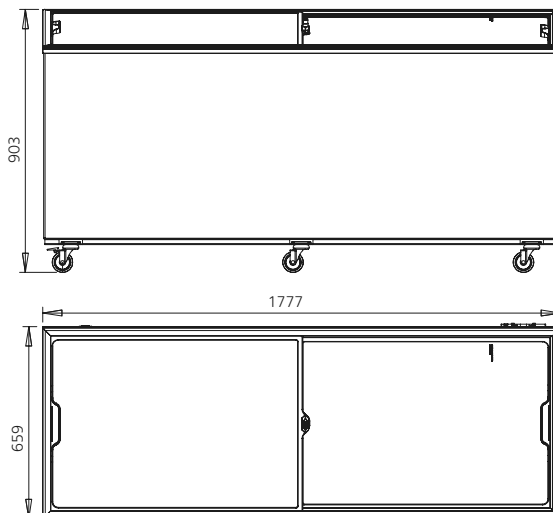
Standard Features

- Aluminium frame
- Glass Lid with Lock
- Stucko Aluminium inner body
- 6 pcs wheel (3 pcs with brake)
- Tempered Low-e glass
- Mechanical Thermostat
- Water Drain system
- Carton packing and wooden pallet
- R290 refrigerant



Optinoal Features

- Analog thermometer
- Digital Thermometer
- Wire Basket
- Sticker app.
- Aluminium Frame in different Colors
- Canopy with Light
- R404A Refrigerant





SYD 510 MA DC
Ice Cream / Frozen Food Conservator With Angled & Flat Sliding Glass Lids

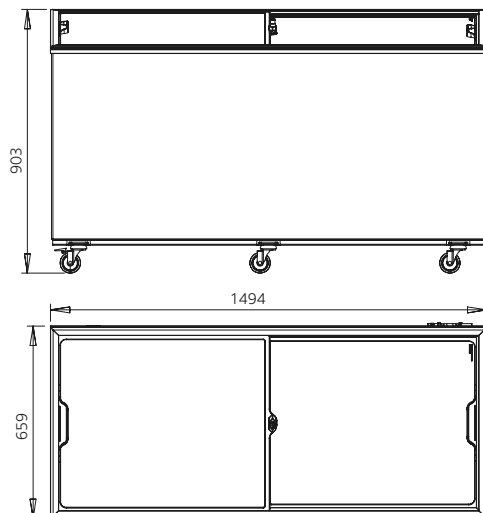
Standard Features

- Aluminium frame
- Glass Lid with Lock
- Stucko Aluminium inner body
- 6 pcs wheel (3 pcs with brake)
- Tempered Low-e glass
- Mechanical Thermostat
- Water Drain system
- Carton packing and wooden pallet
- R290 refrigerant



Optinoal Features

- Analog thermometer
- Digital Thermometer
- Wire Basket
- Sticker app.
- Aluminium Frame in different Colors
- Canopy with Light
- R404A Refrigerant



Ice Cream / Frozen Food Conservator With Angled & Flat Sliding Glass Lids



SYD 410 MA DC Ice Cream / Frozen Food Conservator With Angled & Flat Sliding Glass Lids

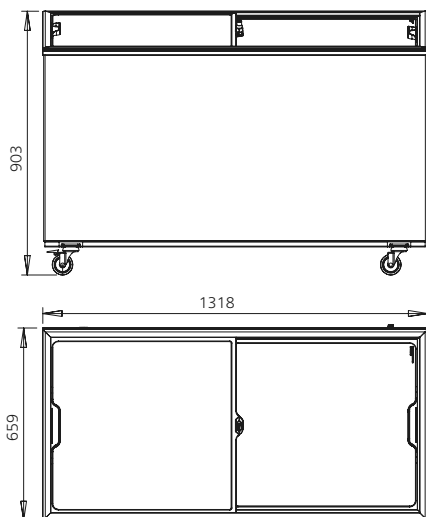
Standard Features

- Aluminium frame
- Glass Lid with Lock
- Stucko Aluminium inner body
- 4 pcs wheel (2 pcs with brake)
- Tempered Low-e glass
- Mechanical Thermostat
- Water Drain system
- Carton packing and wooden pallet
- R290 refrigerant



Optinoal Features

- Analog thermometer
- Digital Thermometer
- Wire Basket
- Sticker app.
- Aluminium Frame in different Colors
- Canopy with Light
- R404A Refrigerant



SYD 310 MA DC Ice Cream / Frozen Food Conservator With Angled & Flat Sliding Glass Lids

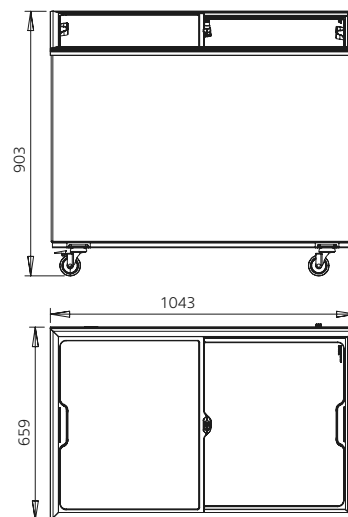
Standard Features

- Aluminium frame
- Glass Lid with Lock
- Stucko Aluminium inner body
- 4 pcs wheel (2 pcs with brake)
- Tempered Low-e glass
- Mechanical Thermostat
- Water Drain system
- Carton packing and wooden pallet
- R290 refrigerant



Optinoal Features

- Analog thermometer
- Digital Thermometer
- Wire Basket
- Sticker app.
- Aluminium Frame in different Colors
- Canopy with Light
- R404A Refrigerant





SYD 210 MA DC
Ice Cream / Frozen Food Conservator With Angled & Flat Sliding Glass Lids

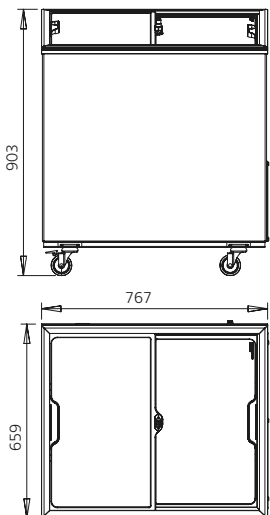
Standard Features

- Aluminium frame
- Glass Lid with Lock
- Stucko Aluminium inner body
- 4 pcs wheel (2 pcs with brake)
- Tempered Low-e glass
- Mechanical Thermostat
- Water Drain system
- Carton packing and wooden pallet
- R600a refrigerant



Optinoal Features

- Analog thermometer
- Digital Thermometer
- Wire Basket
- Sticker app.
- Aluminium Frame in different Colors
- Canopy with Light
- R404A Refrigerant



SYD 160 MA DC
Ice Cream / Frozen Food Conservator With Angled & Flat Sliding Glass Lids

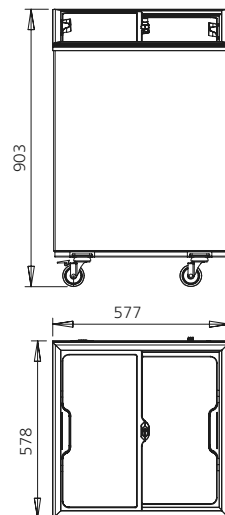
Standard Features

- Aluminium frame
- Glass Lid with Lock
- Stucko Aluminium inner body
- 4 pcs wheel (2 pcs with brake)
- Tempered Low-e glass
- Mechanical Thermostat
- Water Drain system
- Carton packing and wooden pallet
- R600a refrigerant



Optinoal Features

- Analog thermometer
- Digital Thermometer
- Wire Basket
- Sticker app.
- Aluminium Frame in different Colors
- Canopy with Light
- R404A Refrigerant



Ice Cream / Frozen Food Conservator Curved With Sliding Glass Lid



SYD 610 MD BC

Ice Cream / Frozen Food Conservator With Curved Sliding Glass Lids

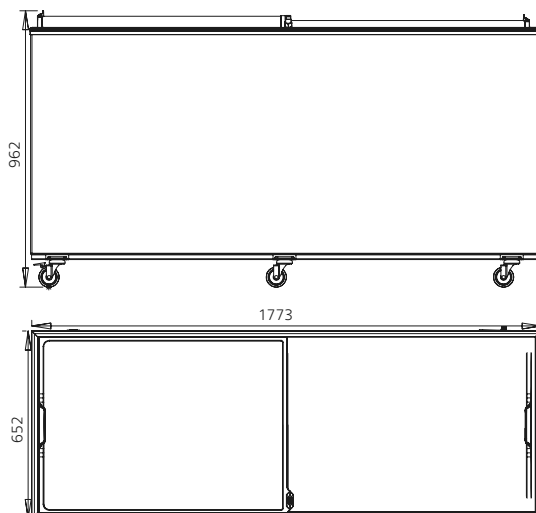
Standard Features

- Aluminium frame
- Curved Glass Lid with Lock
- Stucko Aluminium inner body
- 6 pcs wheel (3 pcs with brake)
- Tempered Low-e glass
- Mechanical Thermostat
- Water Drain system
- Carton packing and wooden pallet
- R290 refrigerant



Optioal Features

- Analog thermometer
- Digital Thermometer
- Wire Basket
- Sticker app.
- Aluminium Frame in different Colors
- Canopy with Light
- R404A Refrigerant





SYD 510 MD BC **Ice Cream / Frozen Food Conservator With Curved Sliding Glass Lids**

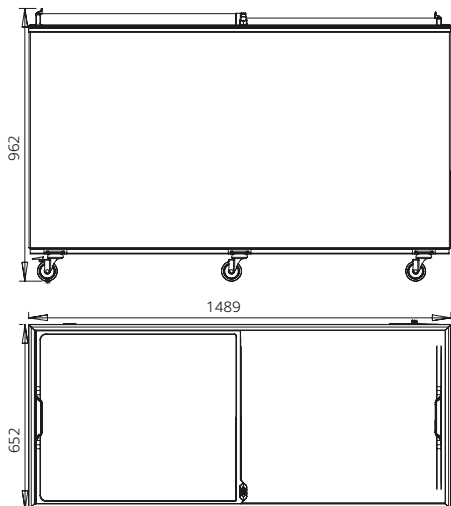
Standard Features

- Aluminium frame
- Curved Glass Lid with Lock
- Stucko Aluminium inner body
- 6 pcs wheel (3 pcs with brake)
- Tempered Low-e glass
- Mechanical Thermostat
- Water Drain system
- Carton packing and wooden pallet
- R290 refrigerant



Optinoal Features

- Analog thermometer
- Digital Thermometer
- Wire Basket
- Sticker app.
- Aluminium Frame in different Colors
- Canopy with Light
- R404A Refrigerant



Ice Cream / Frozen Food Conservators With Sliding Glass Lid



SYD 410 MD BC Ice Cream / Frozen Food Conservator With Curved Sliding Glass Lids

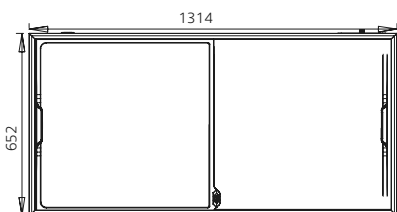
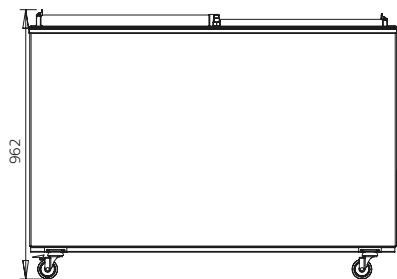
Standard Features

- Aluminium frame
- Curved Glass Lid with Lock
- Stucko Aluminium inner body
- 4 pcs wheel (2 pcs with brake)
- Tempered Low-e glass
- Mechanical Thermostat
- Water Drain system
- Carton packing and wooden pallet
- R290 refrigerant



Optinoal Features

- Analog thermometer
- Digital Thermometer
- Wire Basket
- Sticker app.
- Aluminium Frame in different Colors
- Canopy with Light
- R404A Refrigerant



SYD 310 MD BC Ice Cream / Frozen Food Conservator With Curved Sliding Glass Lids

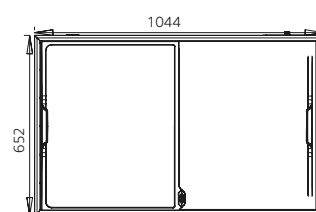
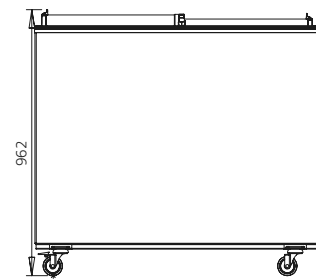
Standard Features

- Aluminium frame
- Curved Glass Lid with Lock
- Stucko Aluminium inner body
- 4 pcs wheel (2 pcs with brake)
- Tempered Low-e glass
- Mechanical Thermostat
- Water Drain system
- Carton packing and wooden pallet
- R290 refrigerant



Optinoal Features

- Analog thermometer
- Digital Thermometer
- Wire Basket
- Sticker app.
- Aluminium Frame in different Colors
- Canopy with Light
- R404A Refrigerant





SYD 210 MD BC
Ice Cream / Frozen Food Conservator With Curved Sliding Glass Lids

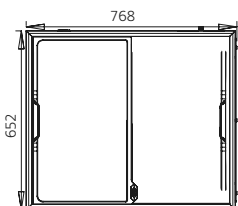
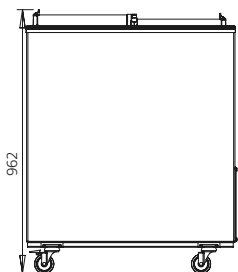
Standard Features

- Aluminium frame
- Curved Glass Lid with Lock
- Stucko Aluminium inner body
- 4 pcs wheel (2 pcs with brake)
- Tempered Low-e glass
- Mechanical Thermostat
- Water Drain system
- Carton packing and wooden pallet
- R600a refrigerant



Optinoal Features

- Analog thermometer
- Digital Thermometer
- Wire Basket
- Sticker app.
- Aluminium Frame in different Colors
- Canopy with Light
- R404A Refrigerant



SYD 160 MD BC
Ice Cream / Frozen Food Conservator With Curved Sliding Glass Lids

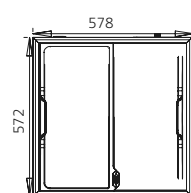
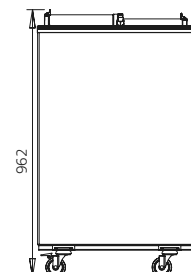
Standard Features

- Aluminium frame
- Curved Glass Lid with Lock
- Stucko Aluminium inner body
- 4 pcs wheel (2 pcs with brake)
- Tempered Low-e glass
- Mechanical Thermostat
- Water Drain system
- Carton packing and wooden pallet
- R600a refrigerant



Optinoal Features

- Analog thermometer
- Digital Thermometer
- Wire Basket
- Sticker app.
- Aluminium Frame in different Colors
- Canopy with Light
- R404A Refrigerant



Ice Cream / Frozen Food Conservators With Sliding Glass Lid



SYD 610 MA BC **Ice Cream / Frozen Food Conservator With Angled & Curved Sliding Glass Lids**

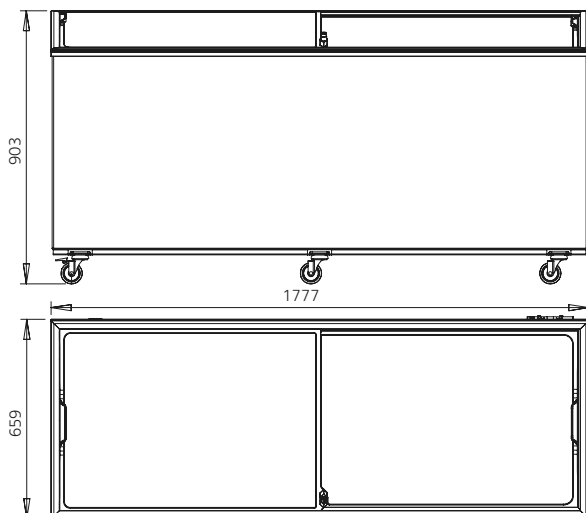
Standard Features

- Aluminium frame
- Curved Glass Lid with Lock
- Stucko Aluminium inner body
- 6 pcs wheel (3 pcs with brake)
- Tempered Low-e glass
- Mechanical Thermostat
- Water Drain system
- Carton packing and wooden pallet
- R290 refrigerant



Optinoal Features

- Analog thermometer
- Digital Thermometer
- Wire Basket
- Sticker app.
- Aluminium Frame in different Colors
- Canopy with Light
- R404A Refrigerant





SYD 510 MA BC **Ice Cream / Frozen Food Conservator With Angled & Curved Sliding Glass Lids**

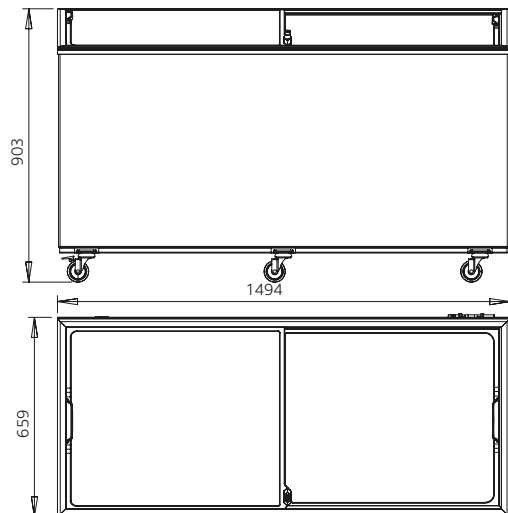
Standard Features

- Aluminium frame
- Curved Glass Lid with Lock
- Stucko Aluminium inner body
- 6 pcs wheel (3 pcs with brake)
- Tempered Low-e glass
- Mechanical Thermostat
- Water Drain system
- Carton packing and wooden pallet
- R290 refrigerant



Optioal Features

- Analog thermometer
- Digital Thermometer
- Wire Basket
- Sticker app.
- Aluminium Frame in different Colors
- Canopy with Light
- R404A Refrigerant



Ice Cream / Frozen Food Conservators With Sliding Glass Lid



SYD 410 MA BC Ice Cream Frozen Food Conservator With Angled & Curved Sliding Glass Lids

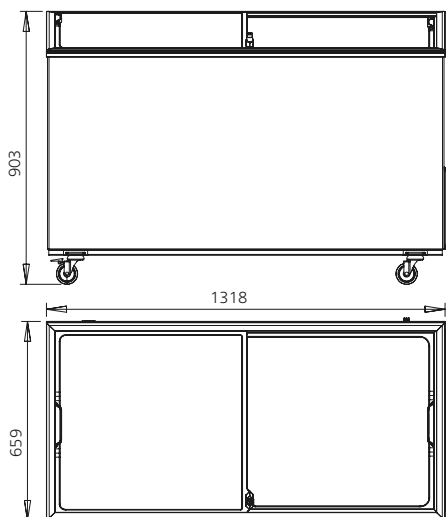
Standard Features

- Aluminium frame
- Curved Glass Lid with Lock
- Stucko Aluminium inner body
- 4 pcs wheel (2 pcs with brake)
- Tempered Low-e glass
- Mechanical Thermostat
- Water Drain system
- Carton packing and wooden pallet
- R290 refrigerant



Optinoal Features

- Analog thermometer
- Digital Thermometer
- Wire Basket
- Sticker app.
- Aluminium Frame in different Colors
- Canopy with Light
- R404A Refrigerant



SYD 310 MA BC Ice Cream Frozen Food Conservator With Angled & Curved Sliding Glass Lids

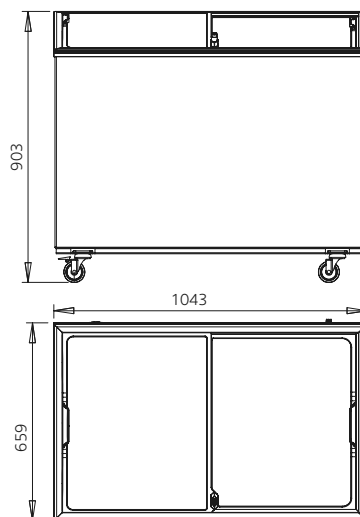
Standard Features

- Aluminium frame
- Curved Glass Lid with Lock
- Stucko Aluminium inner body
- 4 pcs wheel (2 pcs with brake)
- Tempered Low-e glass
- Mechanical Thermostat
- Water Drain system
- Carton packing and wooden pallet
- R290 refrigerant



Optinoal Features

- Analog thermometer
- Digital Thermometer
- Wire Basket
- Sticker app.
- Aluminium Frame in different Colors
- Canopy with Light
- R404A Refrigerant





SYD 210 MA BC Ice Cream Frozen Food Conservator With Angled & Curved Sliding Glass Lids

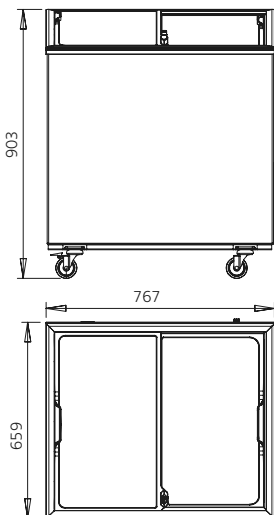
Standard Features

- Aluminium frame
- Curved Glass Lid with Lock
- Stucko Aluminium inner body
- 4 pcs wheel (2 pcs with brake)
- Tempered Low-e glass
- Mechanical Thermostat
- Water Drain system
- Carton packing and wooden pallet
- R600a refrigerant



Optinoal Features

- Analog thermometer
- Digital Thermometer
- Wire Basket
- Sticker app.
- Aluminium Frame in different Colors
- Canopy with Light
- R404A Refrigerant



SYD 160 MA BC Ice Cream Frozen Food Conservator With Angled & Curved Sliding Glass Lids

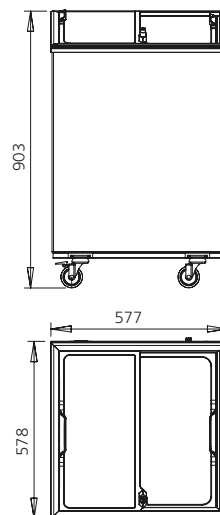
Standard Features

- Aluminium frame
- Curved Glass Lid with Lock
- Stucko Aluminium inner body
- 4 pcs wheel (2 pcs with brake)
- Tempered Low-e glass
- Mechanical Thermostat
- Water Drain system
- Carton packing and wooden pallet
- R600a refrigerant



Optinoal Features

- Analog thermometer
- Digital Thermometer
- Wire Basket
- Sticker app.
- Aluminium Frame in different Colors
- Canopy with Light
- R404A Refrigerant



Ice Cream / Frozen Food Conservators With Sliding Glass Lid



SYD 610 PA BC **Ice Cream / Frozen Food Conservator With Angled & Curved Sliding Glass Lids With Plastic Frame**

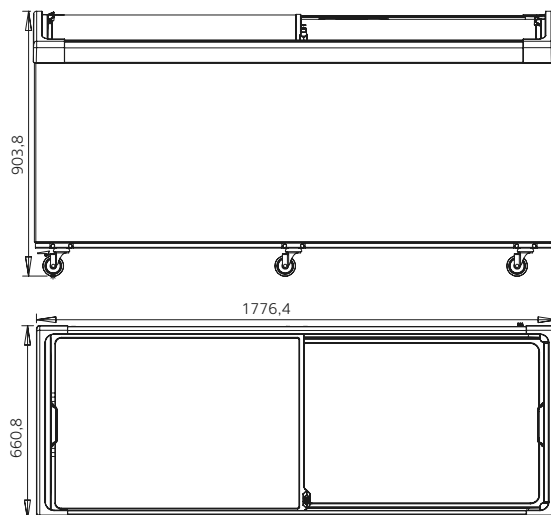
Standard Features

- Plastic frame
- Curved Glass Lid with Lock
- Stucko Aluminium inner body
- 6 pcs wheel (3 pcs with brake)
- Tempered Low-e glass
- Mechanical Thermostat
- Water Drain system
- Carton packing and wooden pallet
- R290 refrigerant



Optinoal Features

- Analog thermometer
- Digital Thermometer
- Wire Basket
- Sticker app.
- Aluminium Frame in different Colors
- Canopy with Light
- R404A Refrigerant





SYD 510 PA BC
Ice Cream / Frozen Food Conservator With Angled & Curved Sliding Glass Lids With Plastic Frame

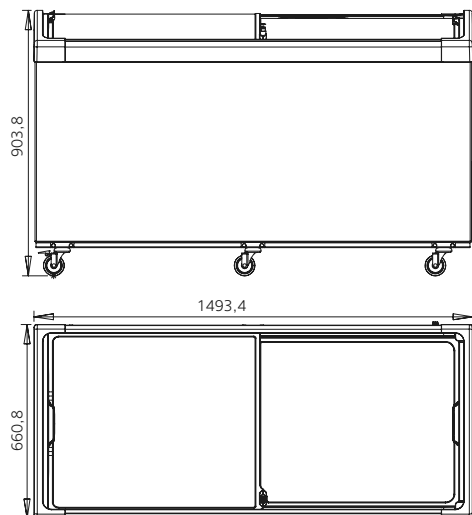
Standard Features

- Plastic frame
- Curved Glass Lid with Lock
- Stucko Aluminium inner body
- 6 pcs wheel (3 pcs with brake)
- Tempered Low-e glass
- Mechanical Thermostat
- Water Drain system
- Carton packing and wooden pallet
- R290 refrigerant



Optinoal Features

- Analog thermometer
- Digital Thermometer
- Wire Basket
- Sticker app.
- Aluminium Frame in different Colors
- Canopy with Light
- R404A Refrigerant



Ice Cream / Frozen Food Conservators With Sliding Glass Lid



SYD 410 PA BC Ice Cream Frozen Food Conservator With Angled & Curved Sliding Glass Lids With Plastic Frame

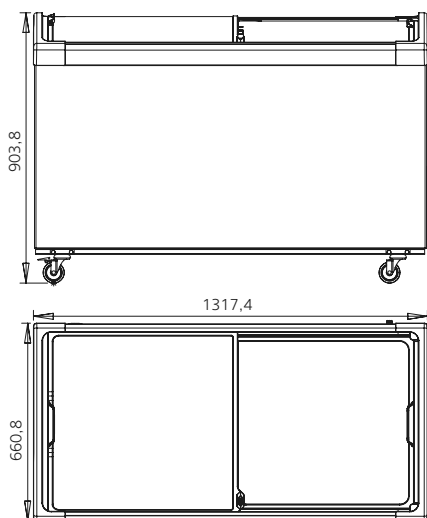
Standard Features

- Plastic frame
- Curved Glass Lid with Lock
- Stucko Aluminium inner body
- 4 pcs wheel (2 pcs with brake)
- Tempered Low-e glass
- Mechanical Thermostat
- Water Drain system
- Carton packing and wooden pallet
- R290 refrigerant



Optinoal Features

- Analog thermometer
- Digital Thermometer
- Wire Basket
- Sticker app.
- Aluminium Frame in different Colors
- Canopy with Light
- R404A Refrigerant



SYD 310 PA BC Ice Cream Frozen Food Conservator With Angled & Curved Sliding Glass Lids With Plastic Frame

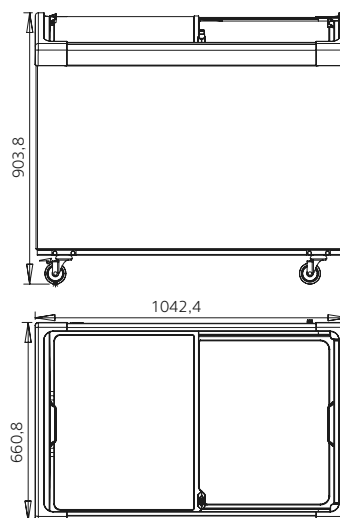
Standard Features

- Plastic frame
- Curved Glass Lid with Lock
- Stucko Aluminium inner body
- 4 pcs wheel (2 pcs with brake)
- Tempered Low-e glass
- Mechanical Thermostat
- Water Drain system
- Carton packing and wooden pallet
- R290 refrigerant



Optinoal Features

- Analog thermometer
- Digital Thermometer
- Wire Basket
- Sticker app.
- Aluminium Frame in different Colors
- Canopy with Light
- R404A Refrigerant





SYD 210 PA BC
Ice Cream Frozen Food Conservator With Angled & Curved Sliding Glass Lids With Plastic Frame

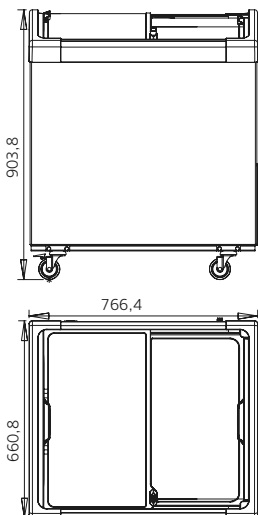
Standard Features

- Plastic frame
- Curved Glass Lid with Lock
- Stucko Aluminium inner body
- 4 pcs wheel (2 pcs with brake)
- Tempered Low-e glass
- Mechanical Thermostat
- Water Drain system
- Carton packing and wooden pallet
- R600a refrigerant



Optinoal Features

- Analog thermometer
- Digital Thermometer
- Wire Basket
- Sticker app.
- Aluminium Frame in different Colors
- Canopy with Light
- R404A Refrigerant



SYD 160 PA BC
Ice Cream Frozen Food Conservator With Angled & Curved Sliding Glass Lids With Plastic Frame

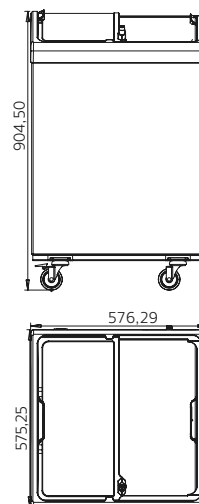
Standard Features

- Plastic frame
- Curved Glass Lid with Lock
- Stucko Aluminium inner body
- 4 pcs wheel (2 pcs with brake)
- Tempered Low-e glass
- Mechanical Thermostat
- Water Drain system
- Carton packing and wooden pallet
- R600a refrigerant



Optinoal Features

- Analog thermometer
- Digital Thermometer
- Wire Basket
- Sticker app.
- Aluminium Frame in different Colors
- Canopy with Light
- R404A Refrigerant



Ice Cream Showcase Range

Ice Cream Showcase



SYD 510 MA DC-R



SYD 410 MA DC-R



Ice Cream Showcase



SYD 310 MA DGR





SYD 510 MA DC-R Ice Cream Showcase

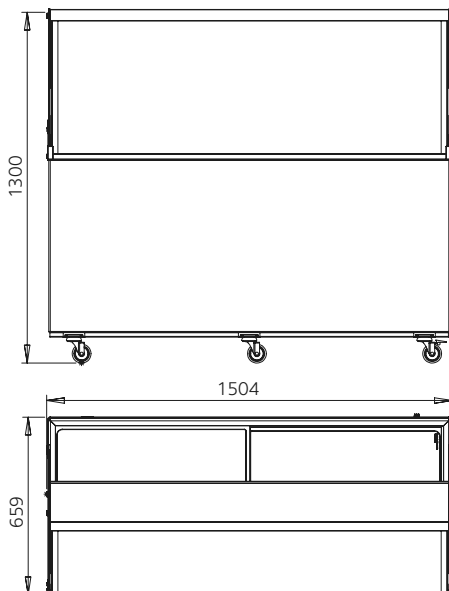
Standard Features

- Aluminium frame
- Glass Lid with Lock
- Special Basket for Ice Cream Boxes
- Tempered , special design service glass
- In-Body LED Light for Ice Cream
- Stucko Aluminium inner body
- 6 pcs wheel (3 pcs with brake)
- Tempered Low-e glass
- Mechanical Thermostat
- Water Drain system
- Carton packing and wooden pallet
- R290 refrigerant



Optinoal Features

- Ice Cream Box
- Analog thermometer
- Digital Thermometer
- Wire Basket
- Sticker app.
- Aluminium Frame in different Colors
- R404A Refrigerant





SYD 410 MA DC-R Ice Cream Showcase

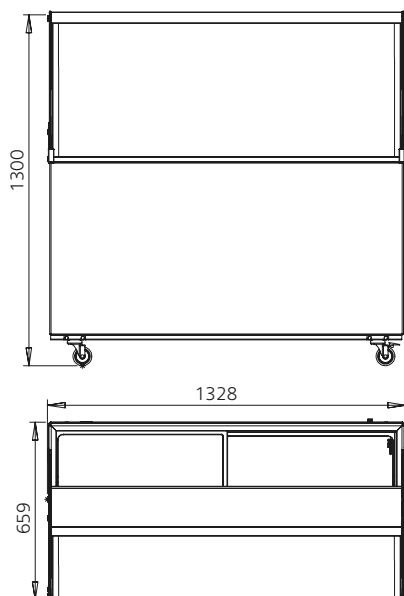
Standard Features

- Aluminium frame
- Glass Lid with Lock
- Special Basket for Ice Cream Boxes
- Tempered , special design service glass
- In-Body LED Light for Ice Cream
- Stucko Aluminium inner body
- 4 pcs wheel (2 pcs with brake)
- Tempered Low-e glass
- Mechanical Thermostat
- Water Drain system
- Carton packing and wooden pallet
- R290 refrigerant



Optinoal Features

- Ice Cream Box
- Analog thermometer
- Digital Thermometer
- Wire Basket
- Sticker app.
- Aluminium Frame in different Colors
- R404A Refrigerant





SYD 310 MA DC-R Ice Cream Showcase

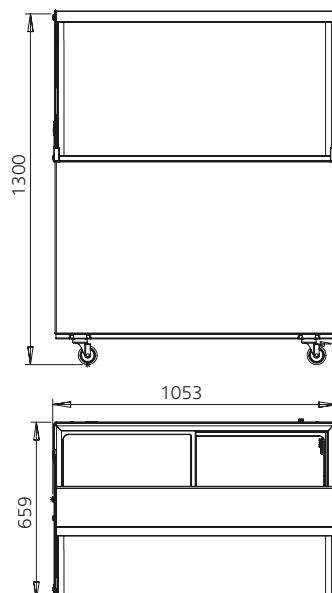
Standard Features

- Aluminium frame
- Glass Lid with Lock
- Special Basket for Ice Cream Boxes
- Tempered , special design service glass
- In-Body LED Light for Ice Cream
- Stucko Aluminium inner body
- 4 pcs wheel (2 pcs with brake)
- Tempered Low-e glass
- Mechanical Thermostat
- Water Drain system
- Carton packing and wooden pallet
- R290 refrigerant



Optional Features

- Ice Cream Box
- Analog thermometer
- Digital Thermometer
- Wire Basket
- Sticker app.
- Aluminium Frame in different Colors
- R404A Refrigerant





Chest Freezers Product Range

Chest Freezers With Solid Lid

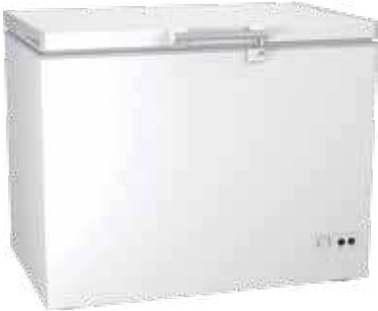


CS6650 A+



CS6600 A+

Chest Freezers With Solid Lid



CS3320 A+

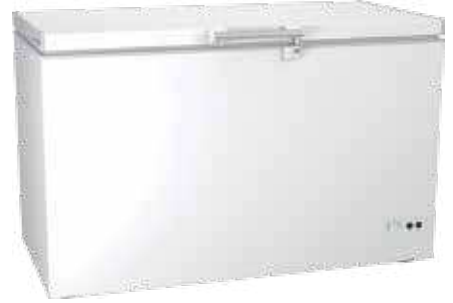


CS2220 A+

Chest Freezers With Solid Lid



CS5500 A+



CS4420 A+

Chest Freezers With Solid Lid



CS1150 A+



Combine Technology and Design with Your Business!



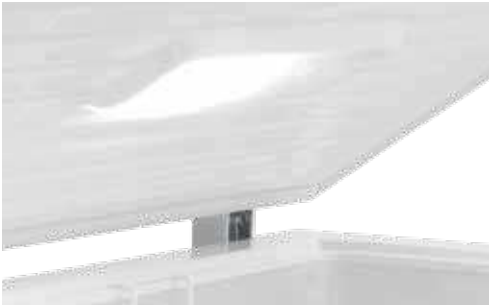
Under all climate conditions, Maximum Performance Only at Simfer!

Simfer chest freezers produced with SN-T Climate Class. This technology enables freezer to operate under tropical, sub-tropical, normal and sub-normal climate conditions.

Maximum performance is available in all external temperatures.

LED Illumination Technology

Special LED illumination product on the lid makes it more economical to illuminate as well as make a clearer visibility of your foods.



Counter Balanced Door

Counter Balance feature makes possible to hold freezer door at different angles. Ease of use in loading and discharging.

Wire Basket for Practical Usage

Wire Basket enables easier reach and practical use of daily foods.



Food Divider for Practical Usage

Food divider kit provides practical space for daily usage.

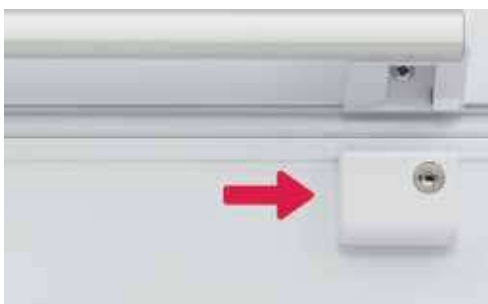


Easy to Remove Door Gasket

Door Gasket system designed for easy remove and replacement.

Aluminum Handle

Practical use and stylish outlook with Aesthetic Design Aluminum Handle.



Lockable Lid

Lockable Lid secures safety and protects your beloved ones.

Platinum Series Chest Freezers With Solid Lid



CS6650 A+ Platinum Series Chest Freezers With Solid Lid

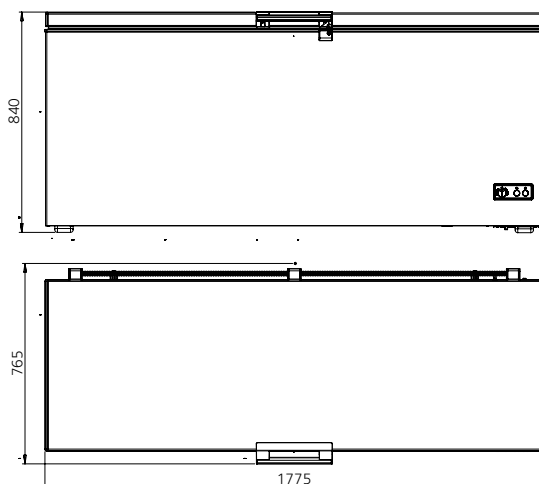
Standard Features

- Simfer Aluminium Handle
- Lock
- 3 pcs Basket
- Strapfor and shrink Pack
- Mechanical Thermostat
- Divider
- Led Door Light
- Painted Door Sheet
- Water Drain System
- Super Freeze
- Dual Mode (Freezer/Cooler)
- R600a Refrigerant



Optinoal Features

- Plastic Handle
- 4 pcs wheel (2 pcs with brake)
- PVC coated Door sheet
- Silver or Inox Door sheet
- Silver or Inox body
- Inox Inner body
- Additionaly Basket
- White painted Aluminium inner Body
- Analog thermometer
- Digital Thermometer
- Ice Pack (1pcs)





CS6600 A+ Platinum Series Chest Freezers With Solid Lid

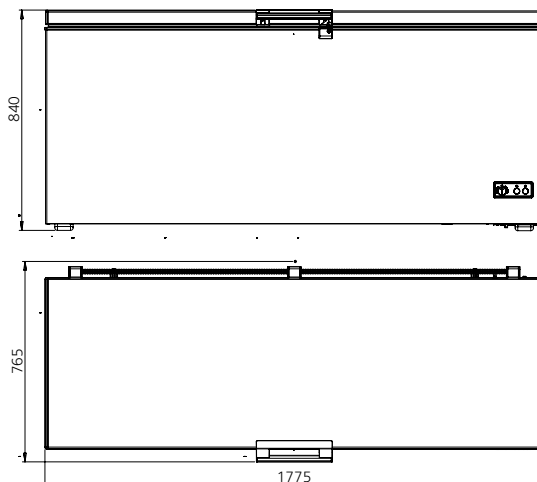
Standard Features

- Simfer Aluminium Handle
- Lock
- 3 pcs Basket
- Strapfor and shrink Pack
- Mechanical Thermostat
- Divider
- Led Door Light
- Painted Door Sheet
- Water Drain System
- Super Freeze
- Dual Mode (Freezer/Cooler)
- R600a Refrigerant



Optinoal Features

- Plastic Handle
- 4 pcs wheel (2 pcs with brake)
- PVC coated Door sheet
- Silver or Inox Door sheet
- Silver or Inox body
- Inox Inner body
- Additionaly Basket
- White painted Aluminium inner Body
- Analog thermometer
- Digital Thermometer
- Ice Pack (1pcs)



Platinum Series Chest Freezers With Solid Lid



CS5500 A+ Platinum Series Chest Freezers With Solid Lid

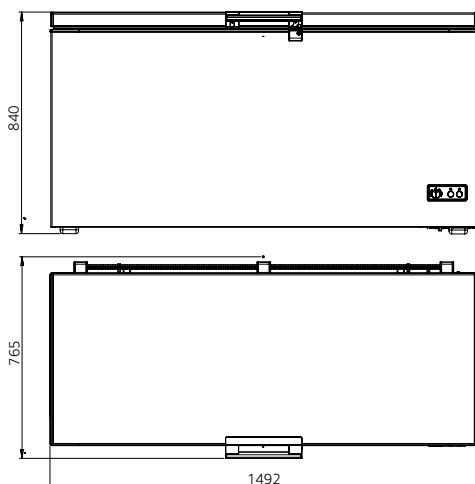
Standard Features

- Simfer Aluminium Handle
- Lock
- 3 pcs Basket
- Strapfor and shrink Pack
- Mechanical Thermostat
- Divider
- Led Door Light
- Painted Door Sheet
- Water Drain System
- Super Freeze
- Dual Mode (Freezer/Cooler)
- R600a Refrigerant



Optinoal Features

- Plastic Handle
- 4 pcs wheel (2 pcs with brake)
- PVC coated Door sheet
- Silver or Inox Door sheet
- Silver or Inox body
- Inox Inner body
- Additionaly Basket
- White painted Aluminium inner Body
- Analog thermometer
- Digital Thermometer
- Ice Pack (1pcs)





CS4420 A+ Platinum Series Chest Freezers With Solid Lid

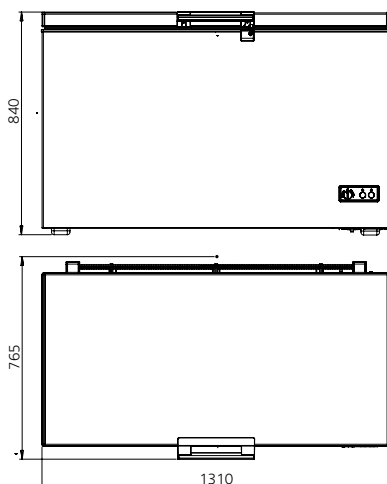
Standard Features

- Simfer Aluminium Handle
- Lock
- 2 pcs Basket
- Strapfor and shrink Pack
- Mechanical Thermostat
- Divider
- Led Door Light
- Painted Door Sheet
- Water Drain System
- Dual Mode (Freezer/Cooler)
- R600a Refrigerant



Optinoal Features

- Plastic Handle
- 4 pcs wheel (2 pcs with brake)
- PVC coated Door sheet
- Silver or Inox Door sheet
- Silver or Inox body
- Inox Inner body
- Additionaly Basket
- White painted Aluminium inner Body
- Analog thermometer
- Digital Thermometer
- Ice Pack (1pcs)



Platinum Series Chest Freezers With Solid Lid



CS3320 A+ Platinum Series Chest Freezers With Solid Lid

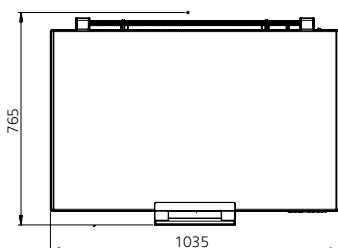
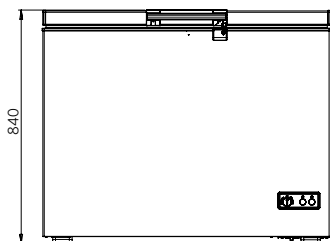
Standard Features

- Simfer Aluminium Handle
- Lock
- 2 pcs Basket
- Strapfor and shrink Pack
- Mechanical Thermostat
- Divider
- Led Door Light
- Painted Door Sheet
- Water Drain System
- Dual Mode (Freezer/Cooler)
- R600a Refrigerant



Optinoal Features

- Plastic Handle
- 4 pcs wheel (2 pcs with brake)
- PVC coated Door sheet
- Silver or Inox Door sheet
- Silver or Inox body
- Inox Inner body
- Additionaly Basket
- White painted Aluminium inner Body
- Analog thermometer
- Digital Thermometer
- Ice Pack (1pcs)





CS2220 A+ Platinum Series Chest Freezers With Solid Lid

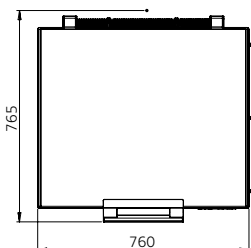
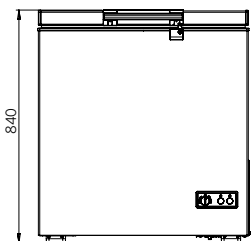
Standard Features

- Simfer Aluminium Handle
- Lock
- 1 pcs Basket
- Strapfor and shrink Pack
- Mechanical Thermostat
- Divider
- Led Door Light
- Painted Door Sheet
- Water Drain System
- Dual Mode (Freezer/Cooler)
- R600a Refrigerant



Optinoal Features

- Plastic Handle
- 4 pcs wheel (2 pcs with brake)
- PVC coated Door sheet
- Silver or Inox Door sheet
- Silver or Inox body
- Inox Inner body
- Additionaly Basket
- White painted Aluminium inner Body
- Analog thermometer
- Digital Thermometer
- Ice Pack (1pcs)



CS1150 A+ Platinum Series Chest Freezers With Solid Lid

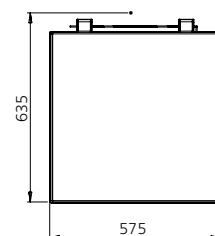
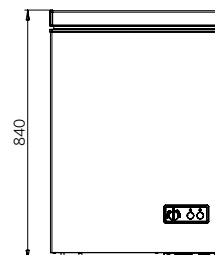
Standard Features

- Built Handle Handle
- Strapfor and shrink Pack
- Mechanical Thermostat
- Painted Door Sheet
- Water Drain System
- Dual Mode (Freezer/Cooler)
- R600a Refrigerant



Optinoal Features

- 4 pcs wheel (2 pcs with brake)
- PVC coated Door sheet
- Silver or Inox Door sheet
- Silver or Inox body
- Additionaly Basket
- White painted Aluminium inner Body
- Analog thermometer
- Digital Thermometer
- Ice Pack (1pcs)



Upright Freezer Range

8 Drawer No-Frost Upright Freezers



FS 8407 ENF A+ D



FS 8401 NF A+

7 Drawer No-Frost Upright Freezers



FS 7307 ENF A+ D



FS 7303 NF A+ INX



FS 7301 NF A+

6 Drawer Upright Freezers



FS 6211 A+ S



FS 6210 A+

7 Drawer Upright Freezers



FS 7311 A+ S



FS 7300 A+

5 Drawer Upright Freezers



FS 5210 A+



Combine Technology and Design with Your Business!



Pure and Elegant Design

Aesthetic look with its plain and clean design .

User Friendly Electronic Control Panel

In addition to its ease of use, it also provides a stylish look to your freezer.



No-Frost Upright Freezer

With the fan control , more homogenous cooling ensures a longer storage of your food.

Stylish Design With Inox Surface

The Inox surface adds aesthetics to the area.



Removable Drawers and Glass Shelves

Removable Drawers and Glass shelves allowing higher and larger products to be stored.

Opaque and Robust Drawer Body

Not only your freezers Outlook become aesthetic but also it provides high durability with opaque drawer body.



One Product Double Function

Your food is always delicious and fresh with its double function feature with a single button which allows you to cool and freeze



Easy to Remove Door Gasket

Door Gasket system designed for easy remove and replacement.



Large Volume Drawer

Large volume drawer where the larger products and food can be stored easily

XXL Capacity Drawer

Big drawer where larger products and food can be easily fit ease of use and functionality.



No-Frost Upright Freezers



FS 8407 ENF A+ D No-Frost Upright Freezer / 8D



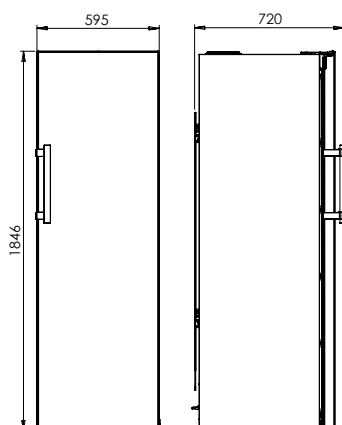
Standard Features

- Thermoformed inner body
- Carton packing
- Aluminium Handle
- Adjustable front feet
- Reversible door
- Touch control display panel
- 2 pcs transparent Flap
- 6 pcs standart drawer with transparent cover
- Fast freezer function
- Dual mode (freezer/cooler)
- High temperature alarm (voiced)
- Door open alarm (voiced)
- Changeable door gasget
- 2 pcs wheel
- White painted door and body
- High opening door (135°)



Optinoal Features

- Easy Open Handle
- Hotstamp press for drawer
- Ice pack and Ice plate





Advanced
Freezing
technology

No-Frost Upright Freezers



FS 8401 NF A+ No-Frost Upright Freezer / 8D



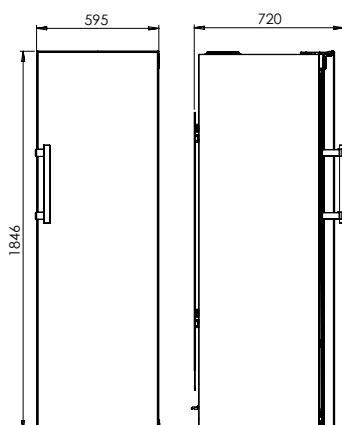
Standard Features

- Thermoformed inner body
- Carton packing
- Aluminium Handle
- Adjustable front feet
- Reversible door
- Pot control panel
- 2 pcs transparent Flap
- 6 pcs standart drawer with transparent cover
- Fast freezer function
- High temperature alarm (voiced)
- Door open alarm (voiced)
- Changeable door gasget
- 2 pcs wheel
- White painted door and body
- High opening door (135°)



Optinoal Features

- Easy Open Handle
- Hotstamp press for drawer
- Ice pack and Ice plate



DUAL MODE Chiller or Freezer



FS 7307 ENF A+ D No-Frost Upright Freezer / 7D



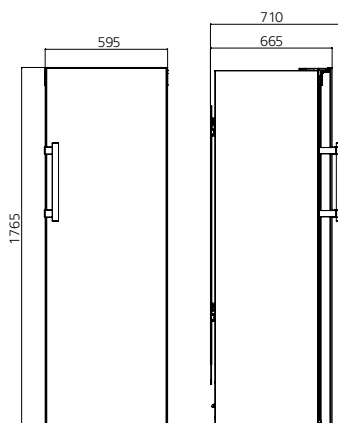
Standard Features

- Thermoformed inner body
- Carton packing
- Aluminium Handle
- Adjustable front feet
- Reversible door
- Touch control display panel
- 2 pcs transparent Flap
- 4 pcs standart drawer with transparent cover
- 1 pcs XXL big drawer with transparent cover
- Fast freezer function
- Dual mode (freezer/cooler)
- High temperature alarm (voiced)
- Door open alarm (voiced)
- Changeable door gasget
- 2 pcs wheel
- White painted door and body
- High opening door (135°)



Optinoal Features

- Easy Open Handle
- Hotstamp press for drawer
- Ice pack and Ice plate



FS 7303 NF A+ INX No-Frost Upright Freezer / 7D



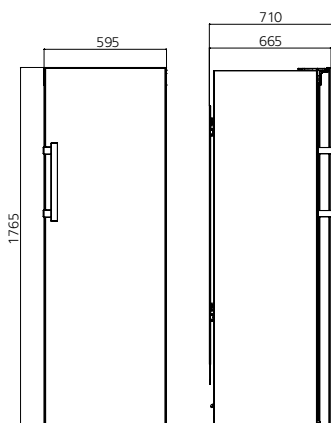
Standard Features

- Thermoformed inner body
- Carton packing
- Aluminium Handle
- Adjustable front feet
- Reversible door
- Pot control panel
- 2 pcs transparent Flap
- 4 pcs standart drawer with transparent cover
- 1 pcs XXL big drawer with transparent cover
- Fast freezer function
- High temperature alarm (voiced)
- Door open alarm (voiced)
- Changeable door gasget
- 2 pcs wheel
- Inox door and body
- High opening door (135°) "



Optinoal Features

- Easy Open Handle
- Hotstamp press for drawer
- Ice pack and Ice plate



No-Frost Upright Freezers



FS 7301 NF A+ No-Frost Upright Freezer / 7D

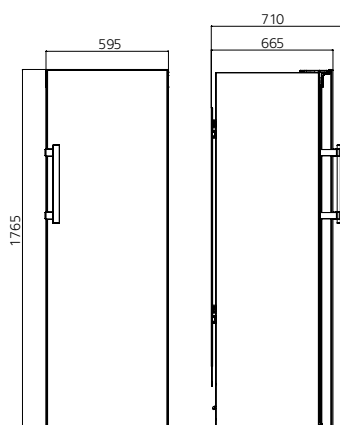
Standard Features

- Thermoformed inner body
- Carton packing
- Aluminium Handle
- Adjustable front feet
- Reversible door
- Pot control panel
- 2 pcs transparent Flap
- 4 pcs standart drawer with transparent cover
- 1 pcs XXL big drawer with transparent cover
- Fast freezer function
- High temperature alarm (voiced)
- Door open alarm (voiced)
- Changeable door gasget
- 2 pcs wheel
- White painted door and body
- High opening door (135°)



Optioal Features

- Easy Open Handle
- Hotstamp press for drawer
- Ice pack and Ice plate





FS 7311 A+ S Upright Freezer / 7D Silver



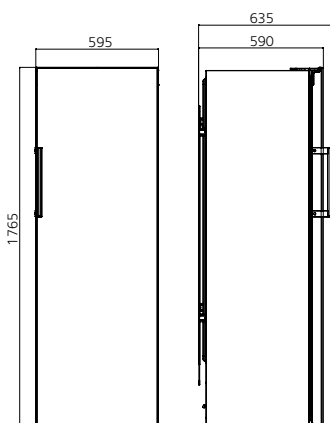
Standard Features

- Thermoformed inner body
- Carton packing
- Aluminium Handle
- Adjustable front feet
- Reversible door
- Pot control panel
- 2 pcs transparent Flap
- 4 pcs standart drawer with transparent cover
- 1 pcs XXL big drawer with transparent cover
- Changeable door gasget
- 2 pcs wheel
- Silver door and body
- High opening door (135°)



Optioal Features

- Easy Open Handle
- Hotstamp press for drawer
- Ice pack and Ice plate



FS 7300 A+ Upright Freezer / 7D

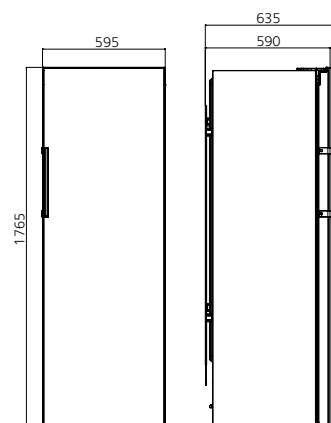
Standard Features

- Thermoformed inner body
- Carton packing
- Aluminium Handle
- Adjustable front feet
- Reversible door
- Pot control panel
- 2 pcs transparent Flap
- 4 pcs standart drawer with transparent cover
- 1 pcs XXL big drawer with transparent cover
- Changeable door gasget
- 2 pcs wheel
- White painted door and body
- High opening door (135°)



Optioal Features

- Easy Open Handle
- Hotstamp press for drawer
- Ice pack and Ice plate



No-Frost Upright Freezers



FS 6211 A+ S Upright Freezer / 6D Silver

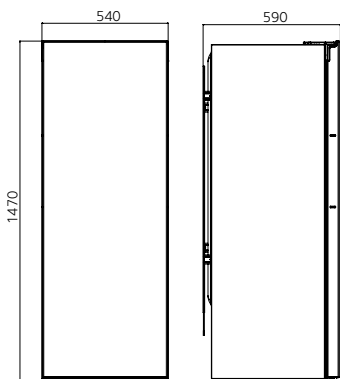
Standard Features

- Thermoformed inner body
- Carton packing
- Built Handle
- Adjustable front feet
- Reversible door
- Pot control panel
- 1 pcs transparent Flap
- 5 pcs standart drawer with transparent cover
- Changeable door gasget
- 2 pcs wheel
- Silver door and body
- High opening door (135°)



Optinoal Features

- Easy Open Handle
- Aluminium Handle
- Hotstamp press for drawer
- Ice pack and Ice plate



FS 6210 A+ Upright Freezer / 6D

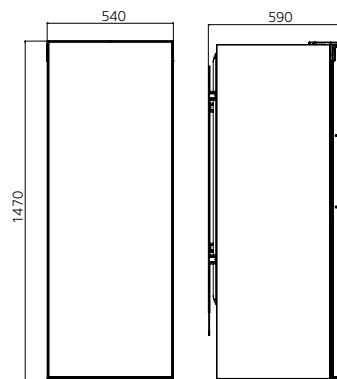
Standard Features

- Thermoformed inner body
- Carton packing
- Built Handle
- Adjustable front feet
- Reversible door
- Pot control panel
- 1 pcs transparent Flap
- 5 pcs standart drawer with transparent cover
- Changeable door gasget
- 2 pcs wheel
- White painted door and body
- High opening door (135°)



Optinoal Features

- Easy Open Handle
- Aluminium Handle
- Hotstamp press for drawer
- Ice pack and Ice plate





FS 5210 A+ Upright Freezer / 5D

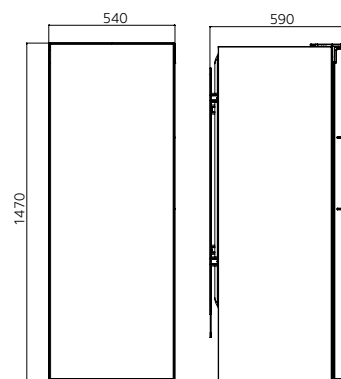
Standard Features

- Thermoformed inner body
- Carton packing
- Built Handle
- Adjustable front feet
- Reversible door
- Pot control panel
- 1 pcs transparent Flap
- 5 pcs standart drawer with transparent cover
- Changeable door gasget
- 2 pcs wheel
- White painted door and body
- High opening door (135°)



Optinoal Features

- Easy Open Handle
- Aluminium Handle
- Hotstamp press for drawer
- Ice pack and Ice plate



Upright Bottle Coolers



PRODUCT CODE

SDS 770 DC 2 C F

SDS 385 DC 1 C F

SDS 385 DC 1 P F

OPTIONS

	SDS 770 DC 2 C F	SDS 385 DC 1 C F	SDS 385 DC 1 P F
Custom Design	√	√	√
4 Adjustable Stability Feet	(4 pcs.)	(2 pcs.)	(2 pcs.)
Interior Side Fluorescent illumination (Left or Right)	√	√	√
Interior Upper 9 LED Power illumination	√	√	√
Upper LED illumination	√	√	√
Interior Side LED illumination (Left or Right)	√	√	√
1-2-3-4 D Door LED illumination (Flat Door)	√	√	√
Can Loading Capacity Shelves (For Max. Loading)	6x7	6x7	6x7
Price Holders and Strips	√	√	√
Double Low-e Glass	√	√	√
Low-e + Double Glass With Argon Gas	√	√	√
Door Lock	√	√	√
Remote Lock	√	√	-
Alluminum Door Frame	√	√	√
Plastic Bottom Panel (Black)	√	√	√
Colored Aluminium and Plastic Door Frame	√	√	√
Colored Canopy and Bottom Panel	√	√	√
Door Handle Set	√	√	√
Self Closing Door	√	√	√
Power Lamp	√	√	√
Light and Fan Switch	√	√	√
Sticker app. (Sides, Glass, Shelves, Canopy)	√	√	√
Analogue Thermometer	√	√	√
Digital Thermometer	√	√	√
Plastic Framed Flat Door	√	√	√
Aluminium Framed Flat Door	√	√	√
Horizontal / Vertical Curved Canopy and Bottom Panel	-	√	-
High Canopy	-	√	-
R134a Refrigerant	√	√	√

TECHNICAL SPECIFICATIONS

Gross / Net Volume (Lt)	758/736	379/368	379/368
Can 330 ml. Loading (Standard / Max.)	952	406 / 476	406/476
Internal Dimensions (w x d x h) (mm)x2	505x425x1615	505x425x1615	505x425x1615
External Dimensions (w x d x h) (mm)	1200x605x1994	595x605x1994	595x605x1832
External Dimensions with Package (w x d x h) (mm)	1220x670x2070	610x670x2070	610x670x1985
Product Foot-print Area (m ²)	0,72	0,36	0,36
Left Side Sticker Area (w x h)(mm)	525x1955	525x1955	525x1800
Right Side Sticker Area(w x h) (mm)	525x1955	525x1955	525x1800
Canopy Sticker Area (w x h)	1145x162	555x162	-
Glass Door Sticker Area (w x h) x2 (TTA)	490x1580	490x1580	490x1580
Net Weight (kg)	160	80	75
Gross Weight With Package (kg)	172	88	81
Temperature Range °C	+1 / +10	+1 / +10	+1 / +10
Refrigerant	R600a	R600a	R600a
Climate Class	4/CC2K4 (32C/65% Rh)	4/CC2K4 (32C/65% Rh)	4/CC2K4 (32C/65% Rh)
Power Source (V/Hz)	220-240V 50Hz	220-240V 50Hz	220-240V 50Hz
Loading Container 40'HC (units)	28	57	57
Loading Truck 13,6 m (units)	40	80	80



PRODUCT CODE

SDS 385 DC 2 C F

SDS 385 DC 2 P F

SDS 385 DC 1 C W

SDS 385 DC 1 P W

OPTIONS

Custom Design	√	√	√	√
4 Adjustable Stability Feet	(2 pcs.)	(2 pcs.)	(2 pcs.)	(2 pcs.)
Interior Side Fluorescent illumination (Left or Right)	√	√	-	-
Interior Upper 9 LED Power illumination	√	√	√	√
Upper LED illumination	√	√	-	-
Interior Side LED illumination (Left or Right)	√	√	√	√
1-2-3-4 D Door LED illumination (Flat Door)	-	-	√	√
Can Loading Capacity Shelves (for max. Loading)	6x7	6x7	5x7	5x7
Price Holders and Strips	√	√	√	√
Double Low-e Glass	√	√	√	√
Low-e + Double Glass with Argon Gas	√	√	√	√
Door Lock	-	-	-	-
Remote Lock	-	-	√	-
Alluminum Door Frame	√	√	√	√
Plastic Bottom Panel (Black)	√	√	-	-
Alüminyum ve Plastik Renkli Kapi Profili	√	√	√	√
Colored Aluminium and Plastic Door Frame	√	√	√	√
Colored Canopy and Bottom Panel	√	√	-	-
Self Closing door	√	√	-	-
Power Lamp	√	√	-	-
Light and fan switch	√	√	-	-
Sticker app. (Sides, Glass, Shelves, Canopy)	√	√	√	√
Analogue thermometer	√	√	-	-
Digital thermometer	√	√	-	-
Plastic Framed Flat Door	√	-	√	√
Aluminium Framed Flat Door	√	-	-	-
Horizontal / Vertical Curved Canopy and Bottom Panel	√	-	√	-
High Canopy	√	-	√	-
R134a Refrigerant	√	√	-	-

TECHNICAL SPECIFICATIONS

Gross / Net Volume (Lt)	379/368	379/368	379/368	379/368
Can 330 ml. Loading (standard / max.)	406 / 476	406/476	60	60
Internal Dimensions (w x d x h) (mm)x2	505x425x1615	505x425x1615	505x425x1615	505x425x1615
External Dimensions (w x d x h) (mm)	595x605x1994	595x605x1832	595x605x1994	595x605x1832
External Dimensions with Package (w x d x h) (mm)	610x670x2070	610x670x1985	610x670x2070	610x670x1985
Product Foot-print Area (m ²)	0,36	0,36	0,36	0,36
Left Side Sticker Area (w x h)(mm)	525x1955	525x1800	525x1955	525x1800
Right Side Sticker Area(w x h) (mm)	525x1955	525x1800	525x1955	525x1800
Canopy Sticker Area (w x h)	555x162	490x1580	555x162	490x1580
Glass Door Sticker Area (w x h) x2 (TTA)	490x1580	-	490x1580	-
Net Weight (kg)	80	75	80	75
Gross Weight With Package (kg)	88	81	88	81
Temperature Range °C	+1 / +10	+1 / +10	+1 / +10	+1 / +10
Refrigerant	R600a	R600a	R600a	R600a
Climate Class	4/CC2K4 (32C/65% Rh)	4/CC2K4 (32C/65% Rh)	4/CC2K4 (32C/65% Rh)	4/CC2K4 (32C/65% Rh)
Power Source (V/Hz)	220-240V 50Hz	220-240V 50Hz	220-240V 50Hz	220-240V 50Hz
Loading Container 40'HC (units)	57	57	57	57
Loading Truck 13,6 m (units)	80	80	80	80

Upright Bottle Coolers



PRODUCT CODE SDS 1210 SC 2 C F SDS 1010 SC 2 C F SDS 1210 DC 2 C F

OPTIONS

Custom Design	√	√	√
Canopy LED illumination	√	√	√
Interior LED illumination	√	√	√
1-2-3-4 D Door LED illumination (Flat Door)	-	-	-
Can Loading Capacity Shelves (for max. Loading)	8x16	8x13	8x16
Price Holders and Strips	√	√	√
Double Low-e Glass	√	√	√
Low-e + Double Glass With Argon Gas	√	√	√
Door Lock	√	√	√
Remote Lock	√	√	√
Colored Aluminium and Plastic Door Frame	√	√	√
Colored Canopy and Bottom Panel	√	√	√
Door Handle Set	√	√	√
Power Lamp	√	√	√
Light Switch	√	√	√
Sticker app. (Sides, Glass, Shelves, Canopy)	√	√	√
Analogue Thermometer	√	√	√
Digital Thermometer	√	√	√
Aluminium Framed Flat Door	-	-	-
R134a Refrigerant	√	√	√

TECHNICAL SPECIFICATIONS

Gross / Net Volume (Lt)	1043/1015	837/810	1038/1010
Can Loading pcs. (0.33L standart)	1232	1001	1232
Internal Dimensions (w x d x h) (mm)	1110x590x1480	890x590x1480	1110x590x1480
External Dimensions with caster (w x d x h) (mm)	1200x718x2145	980x718x2145	1200x718x2145
External Dimensions with Package (w x d x h) (mm)	1215x735x2230	995x735x2230	1215x735x2230
Left Side Sticker Dimension (w x h)(mm)	630x2098	630x2098	630x2098
Right Side Sticker Dimension(w x h) (mm)	630x2098	630x2098	630x2098
Canopy Sticker Dimension (w x h)(mm)	1170x175	950x175	1170x175
Glass Door Sticker Dimension (w x h)(mm)	505x1423 (one glass)	395x1423 (one glass)	490x1460 (one glass)
Total Display Area (m2) (TDA)	0.72 + 0.72	0.56 + 0.56	0.71 + 0.71
Net Weight (kg)	195	162	195
Gross Weight With Package (kg)	210	170	210
Temperature Range °C	+1 / +10	+1 / +10	+1 / +10
Refrigerant	R290	R290	R290
Climate Class	4 / CC2K4 (32C/65% Rh)	4 / CC2K4 (32C/65% Rh)	4 / CC2K4 (32C/65% Rh)
Power Source (V/Hz)	220-240V 50Hz	220-240V 50Hz	220-240V 50Hz
Loading Container 40'HC (units)	28	36	28
Loading Truck 13,6 m (units)	36	44	36



PRODUCT CODE	SDS 1010 DC 2 C F	SDS 710 DC 1 C F	SDS 510 DC 1 C F
--------------	-------------------	------------------	------------------

OPTIONS	Custom Design	√	√	√
	Canopy LED illumination	√	√	√
	Interior LED illumination	√	√	√
	1-2-3-4 D Door LED illumination (Flat Door)	-	√	√
	Can Loading Capacity Shelves (for max. Loading)	8x13	8x10	8x8
	Price Holders and Strips	√	√	√
	Double Low-e Glass	√	√	√
	Low-e + Double Glass With Argon Gas	√	√	√
	Door Lock	√	√	√
	Remote Lock	√	√	√
	Colored Aluminium and Plastic Door Frame	√	√	√
	Colored Canopy and Bottom Panel	√	√	√
	Door Handle Set	√	√	√
	Self Closing Door	√	√	√
	Power Lamp	√	√	√
	Light Switch	√	√	√
	Sticker app. (Sides, Glass, Shelves, Canopy)	√	√	√
	Analogue Thermometer	√	√	√
	Digital Thermometer	√	√	√
Aluminium Framed Flat Door	-	√	√	
R134a Refrigerant	√	√	√	

TECHNICAL SPECIFICATIONS	Gross / Net Volume (Lt)	832/805	640/620	514/498
	Can Loading pcs. (0.33L standart)	1001	770	616
	Internal Dimensions (w x d x h) (mm)	890x590x1480	685x590x1480	550x590x1480
	External Dimensions with caster (w x d x h) (mm)	980x718x2145	775x718x2145	640x718x2145
	External Dimensions with Package (w x d x h) (mm)	995x735x2230	790x735x2230	655x735x2230
	Left Side Sticker Dimension (w x h)(mm)	630x2098	630x2098	630x2098
	Right Side Sticker Dimension(w x h) (mm)	630x2098	630x2098	630x2098
	Canopy Sticker Dimension (w x h)(mm)	950x175	745x175	610x175
	Glass Door Sticker Dimension (w x h)(mm)	380x1460 (one glass)	670x1460	535x1460
	Total Display Area (m2) (TDA)	0,55 + 0,55	0,97	0,78
	Net Weight (kg)	162	127	105
	Gross Weight With Package (kg)	170	140	115
	Temperature Range °C	+1 / +10	+1 / +10	+1 / +10
	Refrigerant	R290	R290	R290
	Climate Class	4 / CC2K4 (32C/65% Rh)	4 / CC2K4 (32C/65% Rh)	4 / CC2K4 (32C/65% Rh)
	Power Source (V/Hz)	220-240V 50Hz	220-240V 50Hz	220-240V 50Hz
	Loading Container 40'HC (units)	36	45	54
	Loading Truck 13,6 m (units)	44	54	60

Chest Bottle Coolers



PRODUCT CODE	SYS 310 MD DC	SYS 210 MD DC	SYS 160 MD DC
Analog Termometre	√	√	√
Analogue Thermometer	√	√	√
Wire Basket	√	√	√
Sticker Application	√	√	√
Colored Metallic Frame	√	√	√
Canopy illumination	√	√	√
R134A Refrigerant	√	√	√

OPTIONS

Gross / Net Volume (Lt)	133/107	208/170	133/107
Internal Dimensions (w x d x h) (mm)	463x463x552/658	639x529x552/658	463x463x552/658
External Dimensions with caster (w x d x h) (mm)	573x573x904	763x653x904	573x573x904
External Dimensions with Package (w x d x h) (mm)	605x595x850	785x685x850	605x595x850
Total Display Area (m2) (TDA)	0,33	0,5	0,33
Left Side Sticker Dimension (w x h)(mm)	560x755	635x755	560x755
Right Side Sticker Dimension(w x h) (mm)	560x755	635x755	560x755
Front Side Sticker Dimension(w x h) (mm)	560x755	740x755	560x755
Net Weight (kg)	40	45	40
Gross Weight With Package (kg)	47	53	47
Temperature Range °C	+1C / +10C	+1C / +10C	+1C / +10C
Refrigerant	R600a	R600a	R600a
Climate Class	4/CC2K4 (32C/65% Rh)	4/CC2K4 (32C/65% Rh)	4/CC2K4 (32C/65% Rh)
Power Source (V/Hz)	220-240V / 50Hz	220-240V / 50Hz	220-240V / 50Hz
Loading Container 40'HC (units)	171	147	171
Loading Truck 13,6 m (units)	264	171	264

TECHNICAL SPECIFICATIONS



PRODUCT CODE	SYS 310 MA BC	SYS 210 MA BC	SYS 160 MA BC
Analog Termometre	√	√	√
Digital Thermometer	√	√	√
Wire Basket	√	√	√
Sticker Application	√	√	√
Colored Metallic Frame	√	√	√
Canopy illumination	√	√	√
R134a Refrigerant	√	√	√

OPTIONS

Gross / Net Volume (Lt)	297/210	198/137	118/80
Internal Dimensions (w x d x h) (mm)	915x529x552/658	639x529x552/658	463x463x552/658
External Dimensions with caster (w x d x h) (mm)	1043x659x904	767x659x904	577x578x904
External Dimensions with Package (w x d x h) (mm)	1065x685x850	785x685x850	605x595x850
Total Display Area (m2) (TDA)	0,69	0,5	0,33
Left Side Sticker Dimension (w x h)(mm)	635x650/755	635x650/755	560x650/755
Right Side Sticker Dimension(w x h) (mm)	635x650/755	635x650/755	560x650/755
Front Side Sticker Dimension(w x h) (mm)	1020x650	740x650	560x650
Net Weight (kg)	55	45	40
Gross Weight With Package (kg)	68	53	47
Temperature Range °C	+1C / +10C	+1C / +10C	+1C / +10C
Refrigerant	R600a	R600a	R600a
Climate Class	4/CC2K4 (32C/65% Rh)	4/CC2K4 (32C/65% Rh)	4/CC2K4 (32C/65% Rh)
Power Source (V/Hz)	220-240V / 50Hz	220-240V / 50Hz	220-240V / 50Hz
Loading Container 40'HC (units)	102	147	171
Loading Truck 13,6 m (units)	132	171	264

TECHNICAL SPECIFICATIONS



PRODUCT CODE	SYS 310 MA DC	SYS 210 MA DC	SYS 160 MA DC
--------------	---------------	---------------	---------------

OPTIONS

Analog Termometre	✓	✓	✓
Digital Thermometer	✓	✓	✓
Wire Basket	✓	✓	✓
Sticker Application	✓	✓	✓
Colored Metallic Frame	✓	✓	✓
Canopy illumination	✓	✓	✓
R134a Refrigerant	✓	✓	✓

TECHNICAL SPECIFICATIONS

Gross / Net Volume (Lt)	278/210	184/137	112/80
Internal Dimensions (w x d x h) (mm)	915x529x552/658	639x529x552/658	463x463x552/658
External Dimensions with caster (w x d x h) (mm)	1043x659x904	767x659x904	577x578x904
External Dimensions with Package (w x d x h) (mm)	1065x685x850	785x685x850	605x595x850
Total Display Area (m2) (TDA)	0,69	0,5	0,33
Left Side Sticker Dimension (w x h)(mm)	635x755	635x755	560x755
Right Side Sticker Dimension(w x h) (mm)	635x755	635x755	560x755
Front Side Sticker Dimension(w x h) (mm)	1020x755	740x755	560x755
Net Weight (kg)	55	45	40
Gross Weight With Package (kg)	68	53	47
Temperature Range °C	+1C / +10C	+1C / +10C	+1C / +10C
Refrigerant	R600a	R600a	R600a
Climate Class	4/CC2K4 (32C/65% Rh)	4/CC2K4 (32C/65% Rh)	4/CC2K4 (32C/65% Rh)
Power Source (V/Hz)	220-240V / 50Hz	220-240V / 50Hz	220-240V / 50Hz
Loading Container 40'HC (units)	102	147	171
Loading Truck 13,6 m (units)	132	171	264



PRODUCT CODE	SYS 310 MD BC	SYS 210 MD BC	SYS 160 MD BC
--------------	---------------	---------------	---------------

OPTIONS

Analog Termometre	✓	✓	✓
Digital Thermometer	✓	✓	✓
Wire Basket	✓	✓	✓
Sticker Application	✓	✓	✓
Colored Metallic Frame	✓	✓	✓
Canopy illumination	✓	✓	✓
R134a Refrigerant	✓	✓	✓

TECHNICAL SPECIFICATIONS

Gross / Net Volume (Lt)	333/258	223/170	139/107
Internal Dimensions (w x d x h) (mm)	915x529x552/658	639x529x552/658	463x463x552/658
External Dimensions with caster (w x d x h) (mm)	1039x653x904	763x653x904	573x573x904
External Dimensions with Package (w x d x h) (mm)	1065x685x850	785x685x850	605x595x850
Total Display Area (m2) (TDA)	0,69	0,5	0,33
Left Side Sticker Dimension (w x h)(mm)	635x755	635x755	560x755
Right Side Sticker Dimension(w x h) (mm)	635x755	635x755	560x755
Front Side Sticker Dimension(w x h) (mm)	1020x755	740x755	560x755
Net Weight (kg)	55	45	40
Gross Weight With Package (kg)	68	53	47
Temperature Range °C	+1C / +10C	+1C / +10C	+1C / +10C
Refrigerant	R600a	R600a	R600a
Climate Class	4/CC2K4 (32C/65% Rh)	4/CC2K4 (32C/65% Rh)	4/CC2K4 (32C/65% Rh)
Power Source (V/Hz)	220-240V / 50Hz	220-240V / 50Hz	220-240V / 50Hz
Loading Container 40'HC (units)	102	147	171
Loading Truck 13,6 m (units)	132	171	264

Chest Bottle Coolers



PRODUCT CODE	SYS 310 PA BC	SYS 210 PA BC	SYS 160 PA BC
--------------	---------------	---------------	---------------

OPTIONS	Analog Termometre	√	√	√
	Digital Thermometer	√	√	√
	Wire Basket	√	√	√
	Sticker Application	√	√	√
	Colored Metallic Frame	√	√	√
	Canopy illumination	√	√	√
	R134a Refrigerant	√	√	√

TECHNICAL SPECIFICATIONS	Gross / Net Volume (Lt)	300/210	200/137	118/80
	Internal Dimensions (w x d x h) (mm)	915x529x552/658	639x529x552/658	463x463x552/658
	External Dimensions with caster (w x d x h) (mm)	1041x660x904	765x660x904	578x578x904
	External Dimensions with Package (w x d x h) (mm)	1065x685x850	785x685x850	605x595x850
	Total Display Area (m2) (TDA)	0,69	0,5	0,33
	Left Side Sticker Dimension (w x h)(mm)	635x650/755	635x650/755	560x650/755
	Right Side Sticker Dimension(w x h) (mm)	635x650/755	635x650/755	560x650/755
	Front Side Sticker Dimension(w x h) (mm)	1020x650	740x650	560x650
	Net Weight (kg)	55	45	40
	Gross Weight With Package (kg)	68	53	47
	Temperature Range °C	+1C / +10C	+1C / +10C	+1C / +10C
	Refrigerant	R600a	R600a	R600a
	Climate Class	4/CC2K4 (32C/65% Rh)	4/CC2K4 (32C/65% Rh)	4/CC2K4 (32C/65% Rh)
	Power Source (V/Hz)	220-240V / 50Hz	220-240V / 50Hz	220-240V / 50Hz
	Loading Container 40'HC (units)	102	147	171
Loading Truck 13,6 m (units)	132	171	264	

Ice Cream/ Frozen Food Conservators



PRODUCT CODE	SYD 610 MD DC	SYD 510 MD DC	SYD 410 MD DC
--------------	---------------	---------------	---------------

OPTIONS	Analogue Thermometer	√	√	√
	Digital Thermometer	√	√	√
	Wire Basket	√	√	√
	Sticker Application	√	√	√
	Colored Metallic Frame	√	√	√
	Canopy illumination	√	√	√
	R404A Refrigerant	√	√	√

TECHNICAL SPECIFICATIONS	Gross / Net Volume (Lt)	582/490	478/400	416/345
	Internal Dimensions (w x d x h) (mm)	1649x529x666	1366x529x666	1190x529x666
	External Dimensions with caster (w x d x h) (mm)	1773x653x904	1490x653x904	1314x653x904
	External Dimensions with Package (w x d x h) (mm)	1806x685x850	1514x685x850	1345x685x850
	Total Display Area (m2) (TDA)	1,17	0,98	0,87
	Left Side Sticker Dimension (w x h)(mm)	635x755	635x755	635x755
	Right Side Sticker Dimension(w x h) (mm)	635x755	635x755	635x755
	Front Side Sticker Dimension(w x h) (mm)	1885x755	1600x755	1295x755
	Net Weight (kg)	85	75	65
	Gross Weight With Package (kg)	105	90	79
	Temperature Range °C	-14C / -24C	-14C / -24C	-14C / -24C
	Refrigerant	R290	R290	R290
	Climate Class	7/BC1 (35C/75% Rh)	7/BC1 (35C/75% Rh)	7/BC1 (35C/75% Rh)
	Power Source (V/Hz)	220-240V / 50Hz	220-240V / 50Hz	220-240V / 50Hz
	Loading Container 40'HC (units)	57	69	75
Loading Truck 13,6 m (units)	63	78	90	



PRODUCT CODE	SYD 310 MD DC	SYD 210 MD DC	SYD 160 MD DC
--------------	---------------	---------------	---------------

OPTIONS	Analogue Thermometer	√	√	√
	Digital Thermometer	√	√	√
	Wire Basket	√	√	√
	Sticker Application	√	√	√
	Colored Metallic Frame	√	√	√
	Canopy illumination	√	√	√
	R404A Refrigerant	√	√	√

TECHNICAL SPECIFICATIONS	Gross / Net Volume (Lt)	314/258	208/170	133/107
	Internal Dimensions (w x d x h) (mm)	915x529x666	639x529x666	463x463x666
	External Dimensions with caster (w x d x h) (mm)	1039x653x904	763x653x904	573x573x904
	External Dimensions with Package (w x d x h) (mm)	1065x685x850	785x685x850	605x595x850
	Total Display Area (m2) (TDA)	0,69	0,5	0,33
	Left Side Sticker Dimension (w x h)(mm)	635x755	635x755	560x755
	Right Side Sticker Dimension(w x h) (mm)	635x755	635x755	560x755
	Front Side Sticker Dimension(w x h) (mm)	1020x755	740x755	560x755
	Net Weight (kg)	55	45	40
	Gross Weight With Package (kg)	68	53	47
	Temperature Range °C	-14C / -24C	-14C / -24C	-14C / -24C
	Refrigerant	R290	R600a	R600a
	Climate Class	7/BC1 (35C/75% Rh)	7/BC1 (35C/75% Rh)	7/BC1 (35C/75% Rh)
	Power Source (V/Hz)	220-240V / 50Hz	220-240V / 50Hz	220-240V / 50Hz
	Loading Container 40'HC (units)	102	147	171
Loading Truck 13,6 m (units)	132	171	264	

Ice Cream/ Frozen Food Conservators



PRODUCT CODE	SYD 610 MA DC	SYD 510 MA DC	SYD 410 MA DC
--------------	---------------	---------------	---------------

OPTIONS

Analogue Thermometer	✓	✓	✓
Digital Thermometer	✓	✓	✓
Wire Basket	✓	✓	✓
Sticker Application	✓	✓	✓
Colored Metallic Frame	✓	✓	✓
Canopy illumination	✓	✓	✓
R404A Refrigerant	✓	✓	✓

TECHNICAL SPECIFICATIONS

Gross / Net Volume (Lt)	527/438	432/330	371/283
Internal Dimensions (w x d x h) (mm)	1649x529x552/658	1366x529x552/658	1190x529x552/658
External Dimensions with caster (w x d x h) (mm)	1777x659x904	1494x659x904	1318x659x904
External Dimensions with Package (w x d x h) (mm)	1806x685x850	1514x685x850	1345x685x850
Total Display Area (m2) (TDA)	1,17	0,98	0,87
Left Side Sticker Dimension (w x h)(mm)	635x650/755	635x650/755	635x650/755
Right Side Sticker Dimension(w x h) (mm)	635x650/755	635x650/755	635x650/755
Front Side Sticker Dimension(w x h) (mm)	1885x650	1600x650	1295x650
Net Weight (kg)	85	75	65
Gross Weight With Package (kg)	105	90	79
Temperature Range °C	-14C / -24C	-14C / -24C	-14C / -24C
Refrigerant	R290	R290	R290
Climate Class	7/BC1 (35C/75% Rh)	7/BC1 (35C/75% Rh)	7/BC1 (35C/75% Rh)
Power Source (V/Hz)	220-240V / 50Hz	220-240V / 50Hz	220-240V / 50Hz
Loading Container 40'HC (units)	57	69	75
Loading Truck 13,6 m (units)	63	78	90



PRODUCT CODE	SYD 610 MD BC	SYD 510 MD BC	SYD 410 MD BC
--------------	---------------	---------------	---------------

OPTIONS

Analogue Thermometer	✓	✓	✓
Digital Thermometer	✓	✓	✓
Wire Basket	✓	✓	✓
Sticker Application	✓	✓	✓
Colored Metallic Frame	✓	✓	✓
Canopy illumination	✓	✓	✓
R404A refrigerant	✓	✓	✓

TECHNICAL SPECIFICATIONS

Gross / Net Volume (Lt)	625/490	512/400	442/345
Internal Dimensions (w x d x h) (mm)	1649x529x666	1366x529x666	1190x529x666
External Dimensions with caster (w x d x h) (mm)	1773x653x904	1490x653x904	1314x653x904
External Dimensions with Package (w x d x h) (mm)	1806x685x850	1514x685x850	1345x685x850
Total Display Area (m2) (TDA)	1,17	0,98	0,87
Left Side Sticker Dimension (w x h)(mm)	635x755	635x755	635x755
Right Side Sticker Dimension(w x h) (mm)	635x755	635x755	635x755
Front Side Sticker Dimension(w x h) (mm)	1885x755	1600x755	1295x755
Net Weight (kg)	85	75	65
Gross Weight With Package (kg)	105	90	79
Temperature Range °C	-14C / -24C	-14C / -24C	-14C / -24C
Refrigerant	R290	R290	R290
Climate Class	7/BC1 (35C/75% Rh)	7/BC1 (35C/75% Rh)	7/BC1 (35C/75% Rh)
Power Source (V/Hz)	220-240V / 50Hz	220-240V / 50Hz	220-240V / 50Hz
Loading Container 40'HC (units)	57	69	75
Loading Truck 13,6 m (units)	63	78	90



PRODUCT CODE

SYD 310 MA DC

SYD 210 MA DC

SYD 160 MA DC

OPTIONS

Analogue Thermometer	√	√	√
Digital Thermometer	√	√	√
Wire Basket	√	√	√
Sticker Application	√	√	√
Colored Metallic Frame	√	√	√
Canopy illumination	√	√	√
R404A Refrigerant	√	√	√

TECHNICAL SPECIFICATIONS

Gross / Net Volume (Lt)	278/210	184/137	112/80
Internal Dimensions (w x d x h) (mm)	915x529x552/658	639x529x552/658	463x463x552/658
External Dimensions with caster (w x d x h) (mm)	1043x659x904	767x659x904	577x578x904
External Dimensions with Package (w x d x h) (mm)	1065x685x850	785x685x850	605x595x850
Total Display Area (m2) (TDA)	0,69	0,5	0,33
Left Side Sticker Dimension (w x h)(mm)	635x650/755	635x650/755	560x650/755
Right Side Sticker Dimension(w x h) (mm)	635x650/755	635x650/755	560x650/755
Front Side Sticker Dimension(w x h) (mm)	1020x650	740x650	560x650
Net Weight (kg)	55	45	40
Gross Weight With Package (kg)	68	53	47
Temperature Range °C	-14C / -24C	-14C / -24C	-14C / -24C
Refrigerant	R290	R600a	R600a
Climate Class	7/BC1 (35C/75% Rh)	7/BC1 (35C/75% Rh)	7/BC1 (35C/75% Rh)
Power Source (V/Hz)	220-240V / 50Hz	220-240V / 50Hz	220-240V / 50Hz
Loading Container 40'HC (units)	102	147	171
Loading Truck 13,6 m (units)	132	171	264



PRODUCT CODE

SYD 310 MD BC

SYD 210 MD BC

SYD 160 MD BC

OPTIONS

Analogue Thermometer	√	√	√
Digital Thermometer	√	√	√
Wire Basket	√	√	√
Sticker Application	√	√	√
Colored Metallic Frame	√	√	√
Canopy illumination	√	√	√
R134A refrigerant	√	√	√

TECHNICAL SPECIFICATIONS

Gross / Net Volume (Lt)	333/258	223/170	139/107
Internal Dimensions (w x d x h) (mm)	915x529x666	639x529x666	463x463x666
External Dimensions with caster (w x d x h) (mm)	1039x653x904	763x653x904	573x573x904
External Dimensions with Package (w x d x h) (mm)	1065x685x850	785x685x850	605x595x850
Total Display Area (m2) (TDA)	0,69	0,5	0,33
Left Side Sticker Dimension (w x h)(mm)	635x755	635x755	560x755
Right Side Sticker Dimension(w x h) (mm)	635x755	635x755	560x755
Front Side Sticker Dimension(w x h) (mm)	1020x755	740x755	560x755
Net Weight (kg)	55	45	40
Gross Weight With Package (kg)	68	53	47
Temperature Range °C	-14C / -24C	-14C / -24C	-14C / -24C
Refrigerant	R290	R600a	R600a
Climate Class	7/BC1 (35C/75% Rh)	7/BC1 (35C/75% Rh)	7/BC1 (35C/75% Rh)
Power Source (V/Hz)	220-240V / 50Hz	220-240V / 50Hz	220-240V / 50Hz
Loading Container 40'HC (units)	102	147	171
Loading Truck 13,6 m (units)	132	171	264

Ice Cream / Frozen Food Conservators



PRODUCT CODE	SYD 610 MA BC	SYD 510 MA BC	SYD 410 MA BC
--------------	---------------	---------------	---------------

OPTIONS

Analogue Thermometer	√	√	√
Digital Thermometer	√	√	√
Wire Basket	√	√	√
Sticker Application	√	√	√
Colored Metallic Frame	√	√	√
Canopy illumination	√	√	√
R404A refrigerant	√	√	√

TECHNICAL SPECIFICATIONS

Gross / Net Volume (Lt)	563/438	461/330	397/283
Internal Dimensions (w x d x h) (mm)	1649x529x552/658	1366x529x552/658	1190x529x552/658
External Dimensions with caster (w x d x h) (mm)	1777x659x904	1494x659x904	1318x659x904
External Dimensions with Package (w x d x h) (mm)	1806x685x850	1514x685x850	1345x685x850
Total Display Area (m2) (TDA)	1,17	0,98	0,87
Left Side Sticker Dimension (w x h)(mm)	635x650/755	635x650/755	635x650/755
Right Side Sticker Dimension(w x h) (mm)	635x650/755	635x650/755	635x650/755
Front Side Sticker Dimension(w x h) (mm)	1885x650	1600x650	1295x650
Net Weight (kg)	85	75	65
Gross Weight With Package (kg)	105	90	79
Temperature Range °C	-14C / -24C	-14C / -24C	-14C / -24C
Refrigerant	R290	R290	R290
Climate Class	7/BC1 (35C/75% Rh)	7/BC1 (35C/75% Rh)	7/BC1 (35C/75% Rh)
Power Source (V/Hz)	220-240V / 50Hz	220-240V / 50Hz	220-240V / 50Hz
Loading Container 40'HC (units)	57	69	75
Loading Truck 13,6 m (units)	63	78	90



PRODUCT CODE	SYD 610 PA BC	SYD 510 PA BC	SYD 410 PA BC
--------------	---------------	---------------	---------------

OPTIONS

Analogue Thermometer	√	√	√
Digital Thermometer	√	√	√
Wire Basket	√	√	√
Sticker Application	√	√	√
Colored Metallic Frame	√	√	√
Canopy illumination	√	√	√
R404A Refrigerant	√	√	√

TECHNICAL SPECIFICATIONS

Gross / Net Volume (Lt)	567/438	464/330	400/283
Internal Dimensions (w x d x h) (mm)	1649x529x587/655	1366x529x587/655	1190x529x587/655
External Dimensions with caster (w x d x h) (mm)	1775x660x904	1492x660x904	1316x660x904
External Dimensions with Package (w x d x h) (mm)	1806x685x850	1514x685x850	1345x685x850
Total Display Area (m2) (TDA)	1,17	0,98	0,87
Left Side Sticker Dimension (w x h)(mm)	635x650/755	635x650/755	635x650/755
Right Side Sticker Dimension(w x h) (mm)	635x650/755	635x650/755	635x650/755
Front Side Sticker Dimension(w x h) (mm)	1885x650	1600x650	1295x650
Net Weight (kg)	85	75	65
Gross Weight With Package (kg)	105	90	79
Temperature Range °C	-14C / -24C	-14C / -24C	-14C / -24C
Refrigerant	R290	R290	R290
Climate Class	7/BC1 (35C/75% Rh)	7/BC1 (35C/75% Rh)	7/BC1 (35C/75% Rh)
Power Source (V/Hz)	220-240V / 50Hz	220-240V / 50Hz	220-240V / 50Hz
Loading Container 40'HC (units)	57	69	75
Loading Truck 13,6 m (units)	63	78	90



	PRODUCT CODE	SYD 310 MA BC	SYD 210 MA BC	SYD 160 MA BC
OPTIONS	Analogue Thermometer	√	√	√
	Digital Thermometer	√	√	√
	Wire Basket	√	√	√
	Sticker Application	√	√	√
	Colored Metallic Frame	√	√	√
	Canopy Illumination	√	√	√
	R134A refrigerant	√	√	√
TECHNICAL SPECIFICATIONS	Gross / Net Volume (Lt)	297/210	198/137	118/80
	Internal Dimensions (w x d x h) (mm)	915x529x552/658	639x529x552/658	463x463x552/658
	External Dimensions with caster (w x d x h) (mm)	1043x659x904	767x659x904	577x578x904
	External Dimensions with Package (w x d x h) (mm)	1065x685x850	785x685x850	605x595x850
	Total Display Area (m2) (TDA)	0,69	0,5	0,33
	Left Side Sticker Dimension (w x h)(mm)	635x650/755	635x650/755	560x650/755
	Right Side Sticker Dimension(w x h) (mm)	635x650/755	635x650/755	560x650/755
	Front Side Sticker Dimension(w x h) (mm)	1020x650	740x650	560x650
	Net Weight (kg)	55	45	40
	Gross Weight With Package (kg)	68	53	47
	Temperature Range °C	-14C / -24C	-14C / -24C	-14C / -24C
	Refrigerant	R290	R600a	R600a
	Climate Class	7/BC1 (35C/75% Rh)	7/BC1 (35C/75% Rh)	7/BC1 (35C/75% Rh)
	Power Source (V/Hz)	220-240V / 50Hz	220-240V / 50Hz	220-240V / 50Hz
Loading Container 40'HC (units)	102	147	171	
Loading Truck 13,6 m (units)	132	171	264	



	PRODUCT CODE	SYD 310 PA BC	SYD 210 PA BC	SYD 160 PA BC
OPTIONS	Analogue Thermometer	√	√	√
	Digital Thermometer	√	√	√
	Wire Basket	√	√	√
	Sticker Application	√	√	√
	Colored Metallic Frame	√	√	√
	Canopy Illumination	√	√	√
	R404A Refrigerant	√	√	√
TECHNICAL SPECIFICATIONS	Gross / Net Volume (Lt)	300/210	200/137	118/80
	Internal Dimensions (w x d x h) (mm)	915x529x	639x529x587/655	463x463x587
	External Dimensions with caster (w x d x h) (mm)	1041x660x904	765x660x904	578x578x904
	External Dimensions with Package (w x d x h) (mm)	1065x685x850	785x685x850	605x595x850
	Total Display Area (m2) (TDA)	0,69	0,5	0,33
	Left Side Sticker Dimension (w x h)(mm)	635x650/755	635x650/755	560x650/755
	Right Side Sticker Dimension(w x h) (mm)	635x650/755	635x650/755	560x650/755
	Front Side Sticker Dimension(w x h) (mm)	1020x650	740x650	560x650
	Net Weight (kg)	55	45	40
	Gross Weight With Package (kg)	68	53	47
	Temperature Range °C	-14C / -24C	-14C / -24C	-14C / -24C
	Refrigerant	R290	R600a	R600a
	Climate Class	7/BC1 (35C/75% Rh)	7/BC1 (35C/75% Rh)	7/BC1 (35C/75% Rh)
	Power Source (V/Hz)	220-240V / 50Hz	220-240V / 50Hz	220-240V / 50Hz
Loading Container 40'HC (units)	102	147	171	
Loading Truck 13,6 m (units)	132	171	264	

Ice Cream Show Cases



PRODUCT CODE	SYD 510 MA DC-R	SYD 410 MA DC-R	SYD 310 MA DC-R
--------------	-----------------	-----------------	-----------------

OPTIONS

Ice Cream Bowl	√	√	√
Analogue Thermometer	√	√	√
Digital Thermometer	√	√	√
Wire Basket	√	√	√
Sticker Application	√	√	√
Colored Metallic Frame	√	√	√
R404A Refrigerant	√	√	√

TECHNICAL SPECIFICATIONS

Gross / Net Volume (Lt)	432/330	371/283	278/210
Internal Dimensions (w x d x h) (mm)	1366x529x552/658	1190x529x552/658	915x529x552/658
External Dimensions with caster (w x d x h) (mm)	1494x659x904	1318x659x904	1043x659x904
External Dimensions with Package (w x d x h) (mm)	1514x685x850	1345x685x850	1065x685x850
Total Display Area (m2) (TDA)	0,98	0,87	0,69
Left Side Sticker Dimension (w x h)(mm)	635x650/755	635x650/755	635x650/755
Right Side Sticker Dimension(w x h) (mm)	635x650/755	635x650/755	635x650/755
Front Side Sticker Dimension(w x h) (mm)	1600x650	1295x650	1020x650
Net Weight (kg)	75	65	55
Gross Weight With Package (kg)	90	79	68
Temperature Range °C	-14C / -24C	-14C / -24C	-14C / -24C
Refrigerant	R290	R290	R290
Climate Class	7/BC1 (35C/75% Rh)	7/BC1 (35C/75% Rh)	7/BC1 (35C/75% Rh)
Power Source (V/Hz)	220-240V / 50Hz	220-240V / 50Hz	220-240V / 50Hz
Loading Container 40'HC (units)	69	75	102
Loading Truck 13,6 m (units)	78	90	132

Platinum series Chest Freezers



OPTIONS

PRODUCT CODE	CS6650 A+	CS6600 A+
PVC Coated Door Sheet	√	√
Plastic Handle	√	√
2 Unlocked , 2 Locked Free Wheel	√	√
Inox Door	√	√
Inox Inner Body	√	X
Inox or Silver Body	√	√
Additional Basket	√	√
Pre-Painted Metallic inner Liner (White)	√	√
Analogue thermometer	√	√
Digital thermometer	√	√
Ice box	1	1

TECHNICAL FEATURES

Gross / Net Volume (Lt)	635/621	572/561
External Dimensions (w x d x h) (mm)	1899*765*840	1775x765x840
External Dimensions without caster (w x d x h) (mm)	1959*770*883	1835 x770x883
Net Weight (kg)	68	65
Gross Weight With Package (kg)	71	69
Temperature Range °C	-24/4 °C	-24/4 °C
Refrigerant	R600a	R600a
Climate Class	SN-T	SN-T
Power Source (V/Hz)	220-240 / 50	220~240/50
Loading Container 40'HC (units)	54	57
Loading Truck 13,6 m (units)	60	66

Platinum series Chest Freezers



PRODUCT CODE	CS5500 A+	CS4420 A+
--------------	-----------	-----------

OPTIONS	PVC Coated Door Sheet	√	√
	Plastic Handle	√	√
	2 Unlocked , 2 Locked Free Wheel	√	√
	Inox Door	√	√
	Inox Inner Body	√	√
	Inox or Silver Body	√	-
	Additional Basket	√	√
	Pre-Painted Metallic Inner Liner (White)	√	√
	Analogue Thermometer	√	√
	Digital Thermometer	√	√
	Ice Box	1	1

TECHNICAL SPECIFICATIONS	Gross / Net Volume (Lt)	469/459	407/395
	External Dimensions (w x d x h) (mm)	1492x765x840	1310x765x840
	External Dimensions without caster (w x d x h) (mm)	1552x770x883	1370x770x883
	Net Weight (kg)	55	51
	Gross Weight With Package (kg)	58	54
	Temperature Range °C	-24/4 °C	-24/4C
	Refrigerant	R600a	R600a
	Climate Class	SN-T	SN-T
	Power Source (V/Hz)	220~240/50	220~240/50
	Loading Container 40'HC (units)	66	75
Loading Truck 13,6 m (units)	75	84	



PRODUCT CODE

CS3320 A+

CS2220 A+

CS1150 A+

OPTIONS

PVC Coated Door Sheet	√	√	√
Plastic Handle	√	√	-
2 Unlocked , 2 Locked Free Wheel	√	√	√
Inox Door	√	√	√
Inox Inner Body	-	-	-
Inox or Silver Body	√	√	√
Additional basket	√	√	√
Pre-Painted Metallic Inner Liner (White)	√	√	√
Analogue Thermometer	√	√	√
Digital Thermometer	√	√	√
Ice Box	1	1	2

TECHNICAL SPECIFICATIONS

Gross / Net Volume (Lt)	305/295	202/195	122/120
External Dimensions (w x d x h) (mm)	1035x765x840	760x765x840	575x635x840
External Dimensions Without Caster (w x d x h) (mm)	1096x770x883	820x770x883	635x640x883
Net Weight (kg)	44	37	32
Gross Weight With Package (kg)	47	39	34
Temperature Range °C	-24/4 °C	-24/4 °C	-24/4 °C
Refrigerant	R600a	R600a	R600a
Climate Class	SN-T	SN-T	SN-T
Power Source (V/Hz)	220~240/50	220~240/50	220~240/50
Loading Container 40'HC (units)	96	126	162
Loading Truck 13,6 m (units)	108	153	189

Upright Freezers



PRODUCT CODE

FS 8407 ENF A+ D

FS 8401 NF A+

OPTIONS

	FS 8407 ENF A+ D	FS 8401 NF A+
Easy Open Handle	√	√
Hotstamping Drawer Print	√	√
Dual Mod (Chiller)	-	√
Icebox and Ice Tray	√	√

TECHNICAL SPECIFICATIONS

Gross / Net Volume (Lt)	308/276	308/276
Internal Dimensions (w x d x h) (mm)x2	595x720x1850	595x720x1850
External Dimensions (w x d x h) (mm)	670x790x1895	670x790x1895
Net Weight (kg)	78	78
Gross Weight With Package (kg)	85	85
Cooling Temperature Range °C	4C	4C
Freezing Temperature Range °C	-18 / -24 C	-18 / -24 C
Refrigerant	R600a	R600a
Climate Class	SN-T	SN-T
Power Source (V/Hz)	220-240 V / 50Hz	220-240 V / 50Hz
Loading Container 40'HC (units)	67	67
Loading Truck 13,6 m (units)	81	81



PRODUCT CODE	FS 7307 ENF A+ D	FS 7303 NF A+ INX	FS 7301 NF A+
--------------	------------------	-------------------	---------------

OPTIONS	Easy Open Handle	√	√	√
	Hotstamping Drawer Print	√	√	√
	Dual Mod (Chiller)	-	√	√
	Icebox and Ice Tray	√	√	√

TECHNICAL SPECIFICATIONS	Gross / Net Volume (Lt)	300/290	300/290	300/290
	Internal Dimensions (w x d x h) (mm)x2	595x690x1765	595x690x1765	595x690x1765
	External Dimensions (w x d x h) (mm)	655x800x1830	655x800x1830	655x800x1830
	Net Weight (kg)	77	77	77
	Gross Weight With Package (kg)	83,5	83,5	83,5
	Cooling Temperature Range °C	4C	4C	4C
	Freezing Temperature Range °C	-18 / -24 C	-18 / -24 C	-18 / -24 C
	Refrigerant	R600a	R600a	R600a
	Climate Class	SN-T	SN-T	SN-T
	Power Source (V/Hz)	220-240 V / 50Hz	220-240 V / 50Hz	220-240 V / 50Hz
	Loading Container 40'HC (units)	68	68	68
Loading Truck 13,6 m (units)	81	81	81	

Upright Freezers



PRODUCT CODE

FS 7311 A+ S

FS 7300 A+

OPTIONS

	FS 7311 A+ S	FS 7300 A+
Easy Open Handle	√	√
Hotstamping Drawer Print	√	√
Dual Mod (Chiller)	√	√
Icebox and Ice Tray	√	√

TECHNICAL SPECIFICATIONS

Gross / Net Volume (Lt)	288/285	288/285
Internal Dimensions (w x d x h) (mm)x2	595x600x1765	595x600x1765
External Dimensions (w x d x h) (mm)	670x710x1805	670x710x1805
Net Weight (kg)	66	66
Gross Weight With Package (kg)	70	70
Cooling Temperature Range °C	4C	4C
Freezing Temperature Range °C	-18 / -24 C	-18 / -24 C
Refrigerant	R600a	R600a
Climate Class	SN-T	SN-T
Power Source (V/Hz)	220-240 V / 50Hz	220-240 V / 50Hz
Loading Container 40'HC (units)	70	70
Loading Truck 13,6 m (units)	87	87



PRODUCT CODE	FS 6211 A+ S	FS 6210 A+	FS 5210 A+
--------------	--------------	------------	------------

OPTIONS

Easy Open Handle	√	√	√
Hotstamping Drawer Print	√	√	√
Dual Mod (Chiller)	√	√	√
Icebox and Ice Tray	√	√	√

TECHNICAL SPECIFICATIONS

Gross / Net Volume (Lt)	210/200	210/200	210/200
Internal Dimensions (w x d x h) (mm)x2	540x600x1470	540x600x1470	540x600x1470
External Dimensions (w x d x h) (mm)	580x630x1505	580x630x1505	580x630x1505
Net Weight (kg)	53	53	53
Gross Weight With Package (kg)	55	55	55
Cooling Temperature Range °C	4C	4C	4C
Freezing Temperature Range °C	-18 / -24 C	-18 / -24 C	-18 / -24 C
Refrigerant	R600a	R600a	R600a
Climate Class	SN-T	SN-T	SN-T
Power Source (V/Hz)	220-240 V / 50Hz	220-240 V / 50Hz	220-240 V / 50Hz
Loading Container 40'HC (units)	128	128	128
Loading Truck 13,6 m (units)	153	153	153

**Simfer Commercial Cooling Products always
on your brand's side!**



simfer

Simfer Commercial Cooling Products, which make a difference with their innovations, fulfill the expectation of your sales point with their durability and their less energy consumption. Our products will provide that your brand and your products reach the end consumer exactly with the way you want. Growing up with the trust of our business partners for 41 years, our Commercial Cooling Products will work safely for your brand too.



We are awarded!



We are proud of announcing the award of
**First place for the
highest increase in
patent submissions**

organized by Turkish Patent Institute

simferexport.com

simfer